



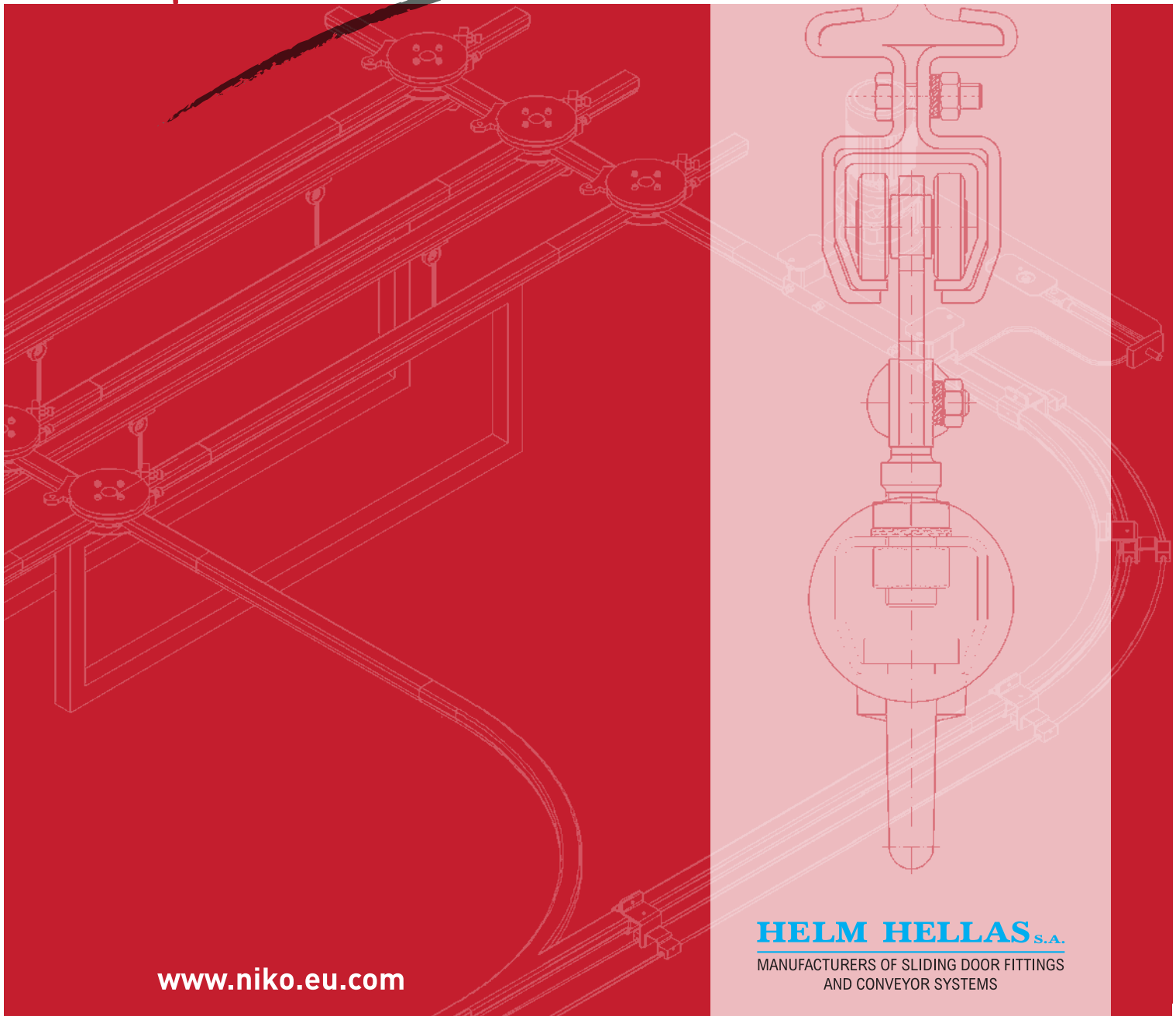
Conveyor Systems

Product Catalogue

Technical Information
Component Specification



NIKO ... Quality in Motion





Company Profile

Established in 1972, Helm Hellas S.A. is focused on designing developing, producing and marketing high quality sliding door fittings and overhead conveyor systems at the right price. Over 90 % of our products are exported to more than 60 countries worldwide with offices and warehouses in 7 countries worldwide.

Our program range includes more than 2.000 different assemblies & components. Our team of highly qualified engineers are continually working to improve our current product portofolio & extend it according to market requirements.

Helm Hellas S.A. enforces a continuous quality control program and is certified according to ISO:9001 and ISO:14000.



Index

Introduction	Page	4
Overhead conveyors configuration example	Page	5
Painting lines examples	Page	6-8
Power chain conveyor	Page	9
Crane bridge wagon	Page	9
Application photos	Page	10-13
Component specifications	Page	14-58
Track profiles	Page	14
Track bends	Page	15
Brackets & support joints	Page	16-27
Trolleys	Page	28-37
Track end stops	Page	37
Flight bars	Page	38-42
Switches	Page	44-53
Ring support bracket	Page	54
Dilation joint	Page	55
Stoppers	Page	55-56
Swivel units	Page	56-57
Drop-lift unit	Page	58

NIKO Overhead Conveyor Systems – a versatile and economic solution for loads up to 2.000kg.



The “NIKO” conveyor system provides an economic and flexible solution in conveyor systems for loads up to 2.000 kg. The manual operation of our systems can also be combined with our power chain conveyor in order to power segments or the entire conveyor.

Versatile and reliable overhead handling can be achieved for a variety of applications using the NIKO modular design. Simple to install and easy to expand or relocate according to future requirements. The robust design of our components and the high standards of manufacturing guarantee long life with little or no maintenance requirements. Our program range consists of sliding door fittings, overhead conveyor systems, festoon systems, fall arrest systems and light cranes.

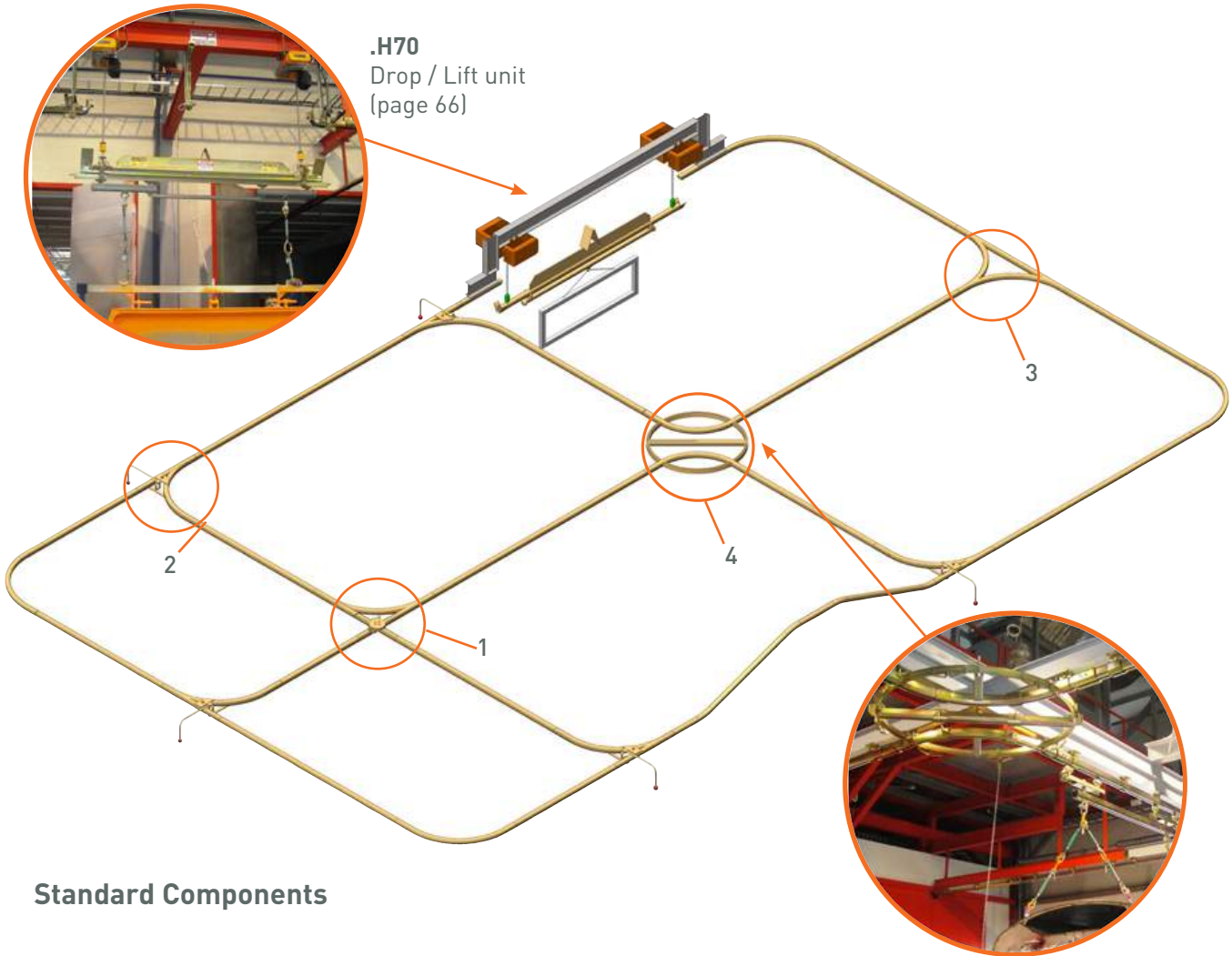
Main Characteristics

- ✓ 5 different profiles and more than 1.000 components to choose from in order to find the best value for money and appropriate solution.
- ✓ Modular design allows for extension and relocation.
- ✓ Possibility to upgrade existing manual conveyors to power solutions with minimal conversion time.
- ✓ Steel components available in gold and silver finish. Stainless steel components are available upon request.
- ✓ Motorised drop lift units reduce product damage and potential injuries to workers.
- ✓ Long life and low maintenance achieved by dust self-cleaning enclosed track profiles and maintenance free bearings.
- ✓ Engineering consultation support is provided in order to find the best solution to every handling problem.

NIKO conveyors are used extensively in applications of painting, rethreading tyres, assembly, production and storage.

Overhead Conveyors Configuration Example

- ✓ Modular system design to accommodate any solution necessary.
- ✓ Minimal maintenance required.

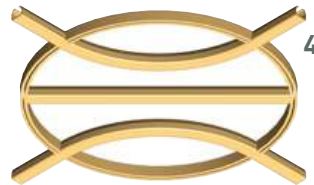


CONVEYOR SYSTEMS

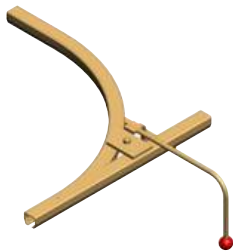
Standard Components



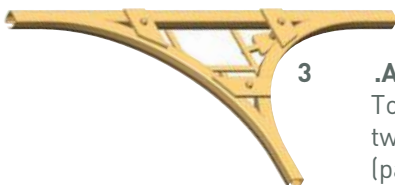
1 **.A17**
Tongue Switch with Pneumatic turn table
(page 54)



4 **.A43**
Multiple Turn Table Switch
(page 59)



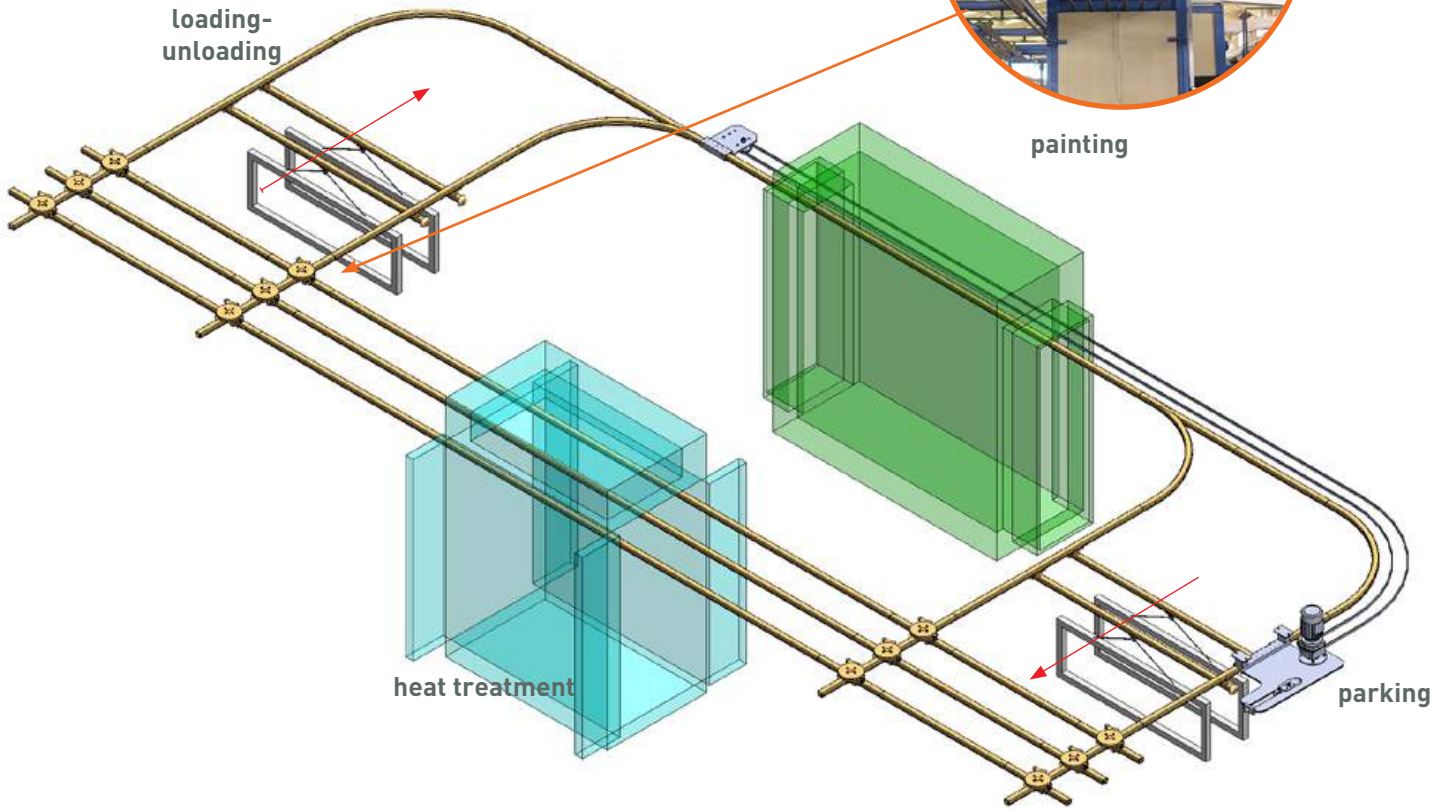
2 **.A46**
Tongue Switch
(page 53)



3 **.A15**
Tongue Switch with two 90° bends
(page 54)

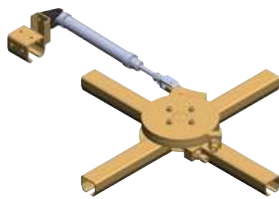
Painting Line - example 1

- ✓ High productivity achieved utilising pneumatic turntables.
- ✓ Minimum space requirements.
- ✓ Power side transfer through the oven or painting booth.



CONVEYOR SYSTEMS

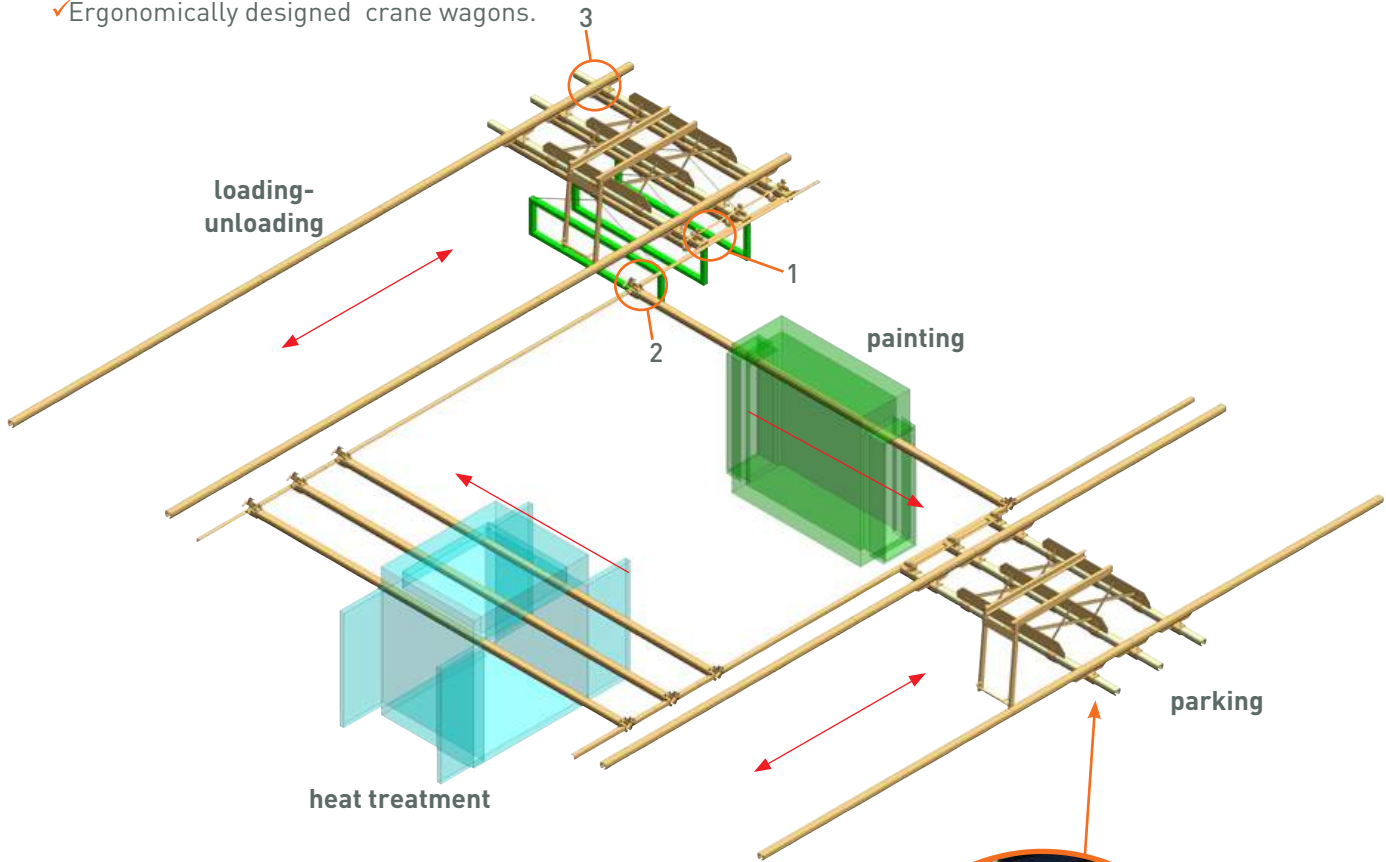
Standard Components



.A44
Pneumatic
Turn Table Switch
(page 60)

Painting Line - example 2

- ✓ Minimum space requirements.
- ✓ Ergonomically designed crane wagons.



CONVEYOR SYSTEMS

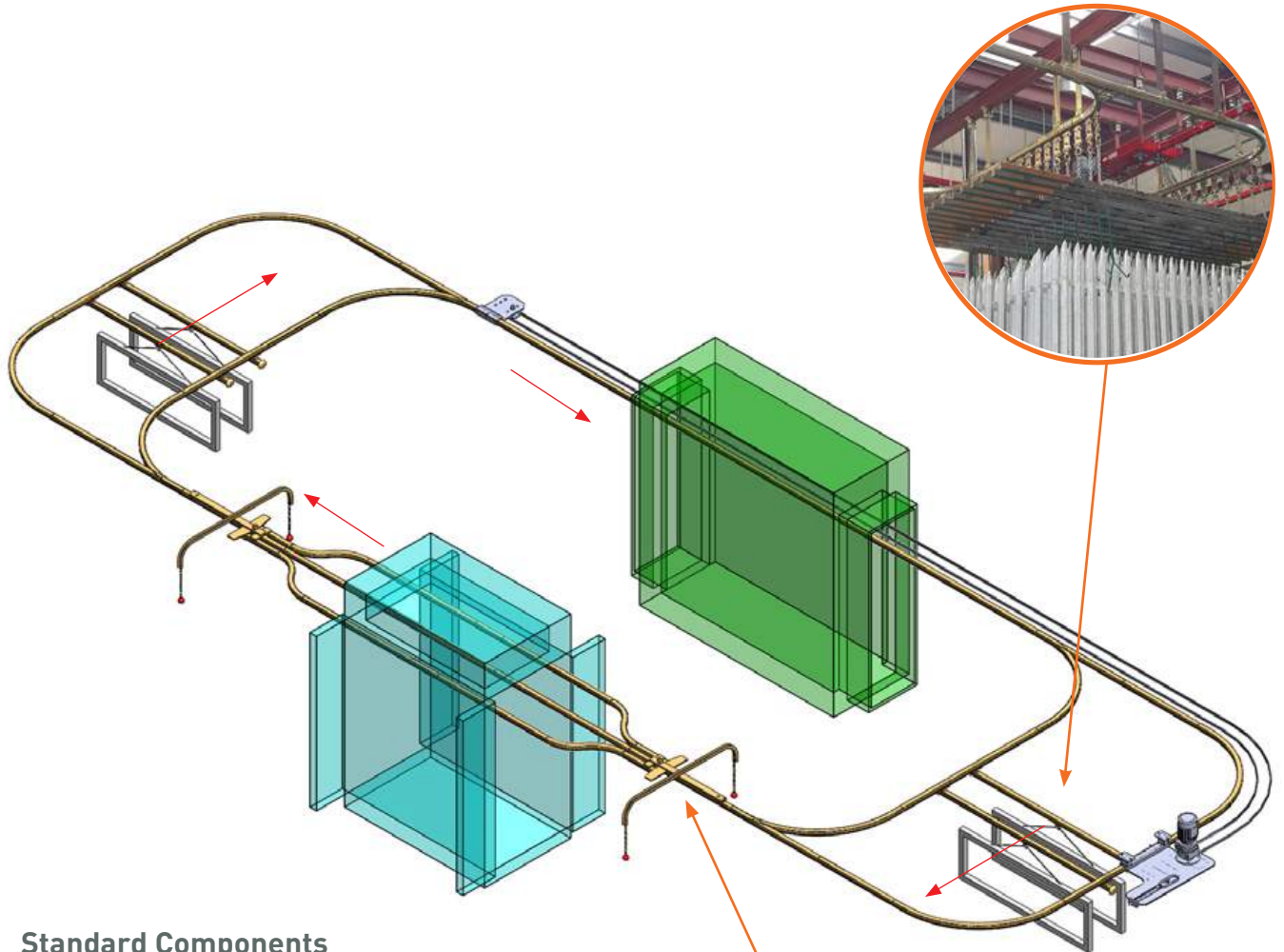
Standard Components

- | | |
|--|---|
| | <p>1 .H01
 Bridge Interlock, Part 1
 (C2 Product Catalogue, page 43)</p> |
| | <p>2 .H02
 Bridge Interlock, Part 2
 (C2 Product Catalogue, page 43)</p> |
| | <p>3 .T54
 End carriage with track joint
 (C2 Product Catalogue, page 40)</p> |

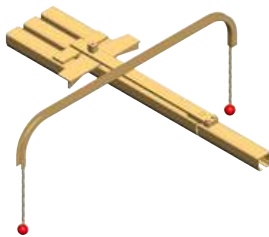
Painting Line - example 3

- ✓ The best value for money solution.
- ✓ High productivity achieved utilising mechanically automatic switches.
- ✓ Power Side Transfer through the oven or painting booth.

CONVEYOR SYSTEMS



Standard Components



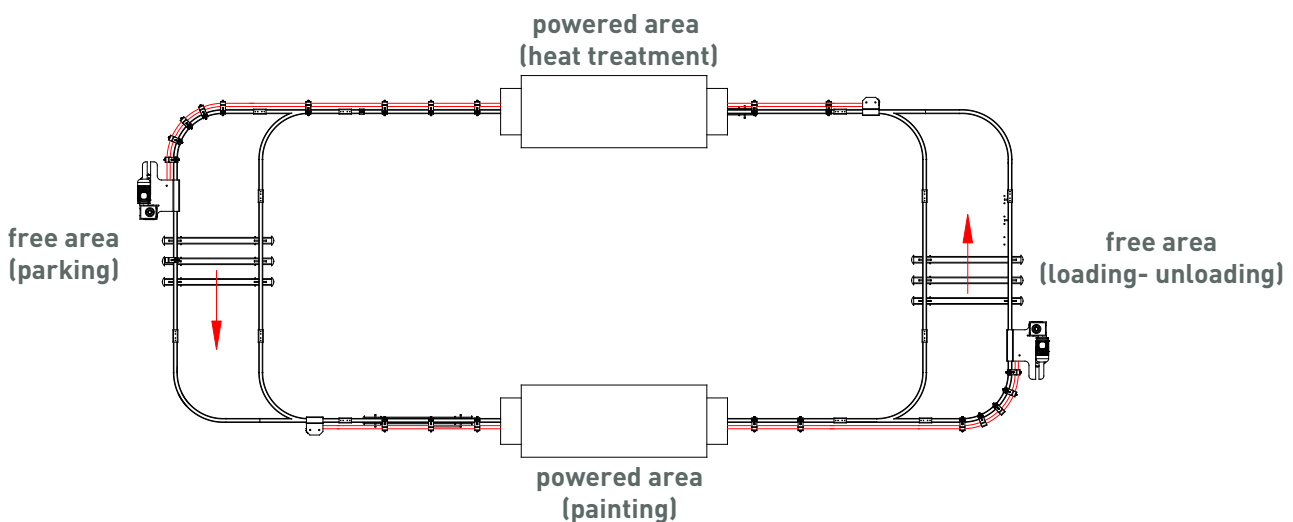
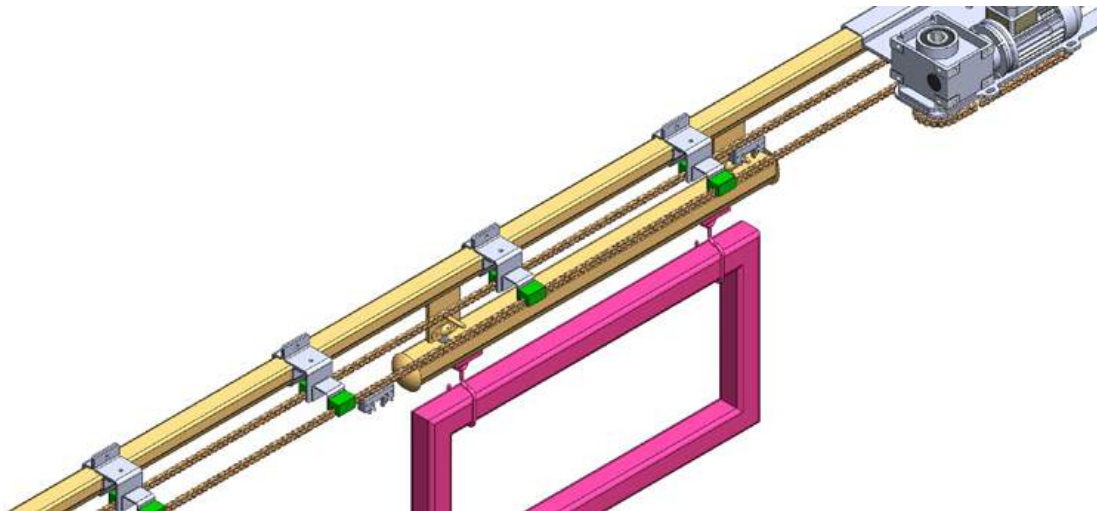
.A35 with .DL
Swivel Switch with
Double Pulling chain
(page 50, page 55)



Power Chain Conveyor

A chain conveyor can be installed parallel to the conveyor carrying the load in order to power the movement. Powered movement can be achieved not only in straight lines but also in bends making it possible to have a completely powered system.

A typical application would be to power the movement through the ovens or painting booths and have the parking areas free in order to load and unload the products in adequate time. The benefits of the power chain conveyor are its competitive price, quiet operation and the fact that it can be added to a manual conveyor at a future stage.



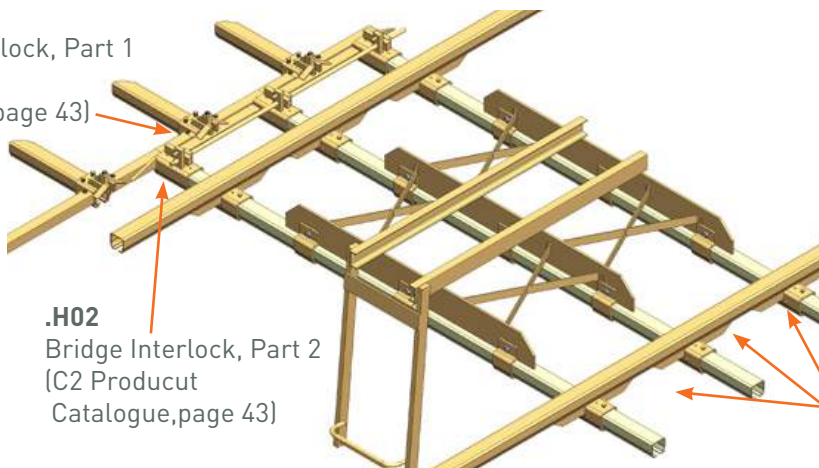
CONVEYOR SYSTEMS

Crane Bridge Wagon

Crane bridge wagons with multiple lines are a popular solution when cross travel is required. They consist of the bridge with multiple lines, interlocks and an operating handle

.H01

Bridge Interlock, Part 1
(C2 Product Catalogue, page 43)



.H02

Bridge Interlock, Part 2
(C2 Product Catalogue, page 43)

.T54

End carriage with track joint
(C2 Product Catalogue, page 40)

Application Photos



CONVEYOR SYSTEMS

Application Photos



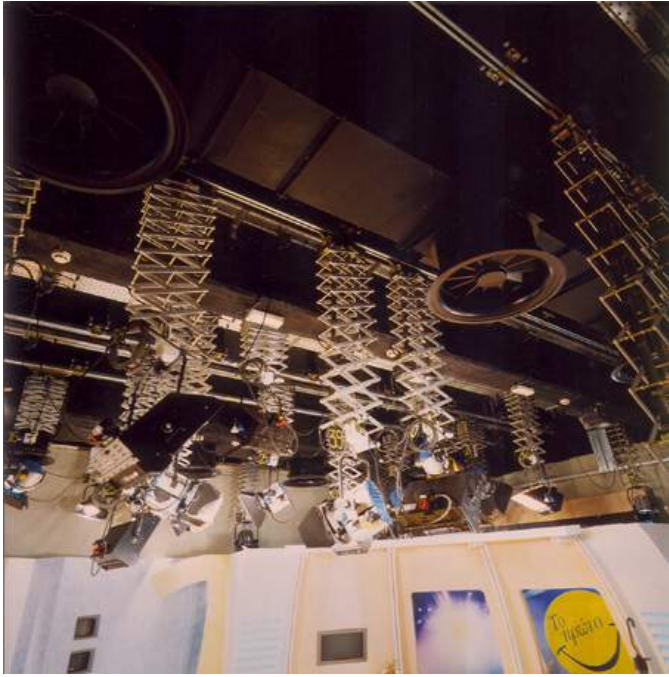
CONVEYOR SYSTEMS

Application Photos



CONVEYOR SYSTEMS

Application Photos



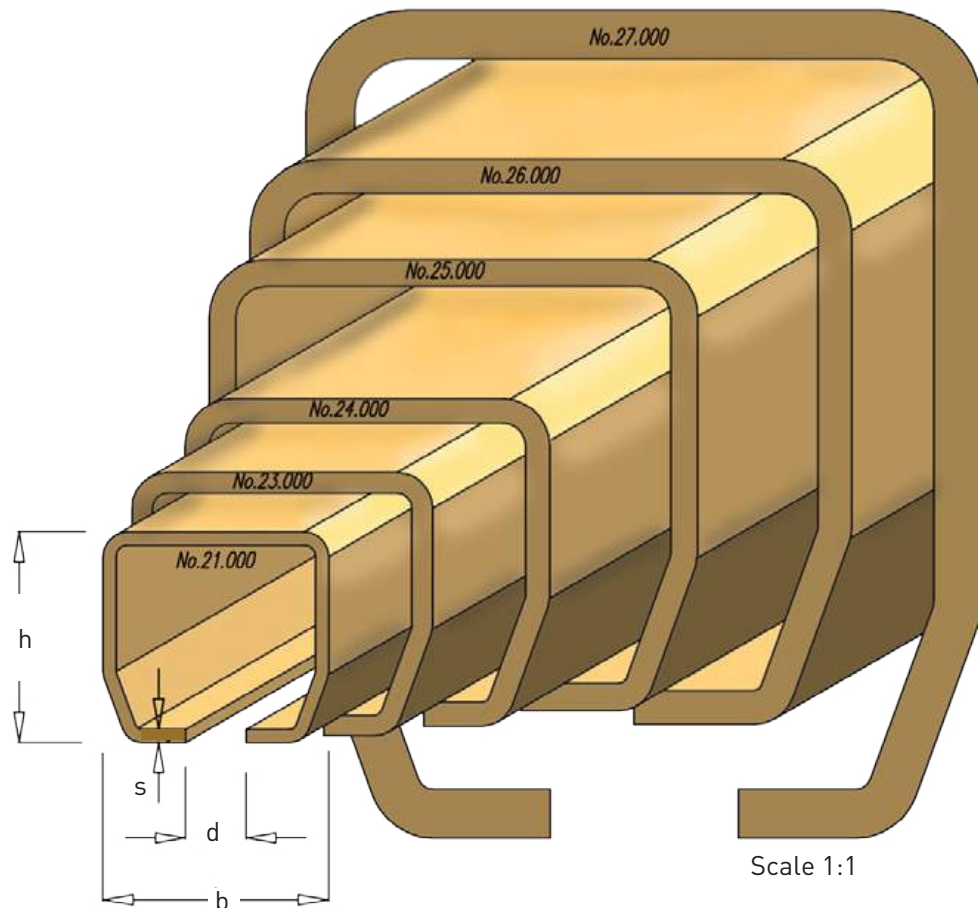
CONVEYOR SYSTEMS

Component Specifications

NIKO Track Profiles

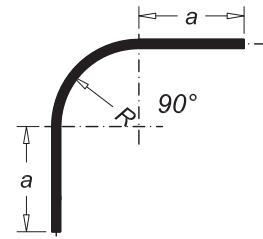
Our wide range of 6 Track profile sizes can accommodate loads up to 2.000 kg. The NIKO enclosed track tapered design allows correct alignment of the trolleys and reduces the possibility of dust build up. This ensures the smooth running of the trolleys and the long life of the crane. NIKO conveyors require only 1-4% force of the weight being lifted in order to operate. For use in aggressive environments we can also offer conveyors in stainless steel grade 304.

NIKO Profile No.	Dimensions			
	h (mm)	b (mm)	d (mm)	s (mm)
21.000	28	30	8	1,75
21.050 stainless steel	28	30	8	1,75
23.000	35,00	40,00	11,00	2,75
23.050 stainless steel	35,00	40,00	11,00	2,75
24.000	43,50	48,50	15,00	3,20
24.050 stainless steel	43,50	48,50	15,00	3,20
25.000	60,00	65,00	18,00	3,60
25.050 stainless steel	60,00	65,00 <td 18,00	3,60	
26.000	75,00	80,00	22,00	4,50
27.000	110,00	90,00	25,00	6,50



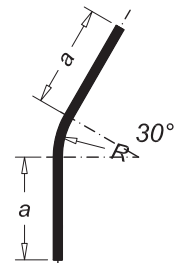
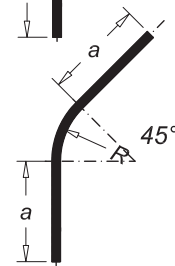
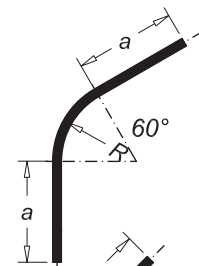
Track Bends

NIKO Profile No.	21.000	21.000	21.000	23.000	24.000	
Track bend 90° No.	21.C02	21.C03	21.C04	23.C04	24.C04	24.C09
a (mm)	590±20	510±20	690±20	690±20	650±20	540±20
R (mm)	205±10	300±10	400±10	400±15	440±15	905±15
L (mm)	1500	1500	2000	2000	2000	2500



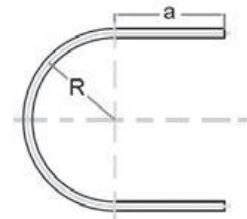
NIKO Profile No.	21.000	23.000	24.000	25.000	26.000	27.000
Track bend 90° No.	21.C06	23.C07	24.C06	25.C06	26.C08	27.C10
a (mm)	490±20	460±20	550±20	550±20	900±20	690±20
R (mm)	650±10	690±15	580±15	580±15	770±20	1035±15
L (mm)	2000	2000	2000	2000	3000	3000

NIKO Profile No.	21.000	23.000	24.000	
Track bend 60° No.	21.C12	21.C14	23.C14	24.C14
a (mm)	640±20	790±20	790±20	770±20
Track bend 45° No.	21.C22	21.C24	23.C24	24.C24
a (mm)	670±20	840±20	840±20	830±20
Track bend 30° No.	21.C32	21.C34	23.C34	24.C34
a (mm)	700±20	900±20	900±20	890±20
R (mm)	205±10	400±10	400±15	440±15
L (mm)	1500	2000	2000	2000

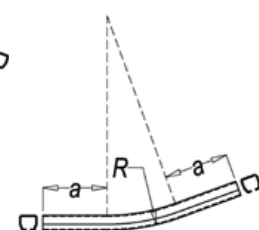
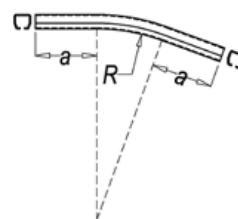


NIKO Profile No.	21.000	23.000	24.000	25.000	26.000	27.000	
Track bend 60° No.	21.C16	23.C17	24.C16	24.C19	25.C16	26.C18	27.C20
a (mm)	660±20	640±20	700±20	530±20	700±20	600±20	960±20
Track bend 45° No.	21.C26	23.C27	24.C26	24.C29	25.C26	26.C28	27.C30
a (mm)	750±20	730±20	770±20	640±20	770±20	700±20	1090±20
Track bend 30° No.	21.C36	23.C37	24.C36	24.C39	25.C36	26.C38	27.C40
a (mm)	830±20	820±20	850±20	760±20	850±20	800±20	1230±20
R (mm)	650±10	690±15	580±15	900±15	580±15	770±20	1035±15
L (mm)	2000	2000	2000	2000	2000	2000	3000

NIKO Profile No.	21.000	23.000		24.000		25.000	26.000	
Track bend 180° No.	21.C64	21.C66	23.C64	23.C67	24.C64	24.C66	25.C66	26.C88
a (mm)	250±20		200±20		300±20		300±20	130±20
R (mm)	400±10	650±10	400±10	690±10	440±10	580±10	580±10	770±10
L (mm)	2000	2500	2000	2500	2000	2500	2500	3000



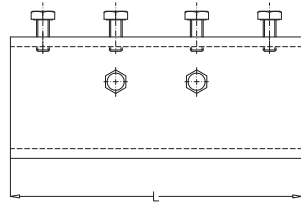
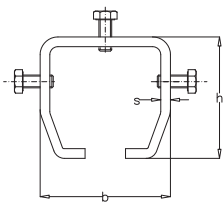
NIKO Profile No.	23.000	24.000	25.000	26.000
Top inside slot 20° No.	23.C50	24.C50	25.C50	26.C50
Under-outside slot 20° No.	23.C51	24.C51	25.C51	26.C51
Track bend 30° No.	23.C37	24.C36	25.C36	26.C38
a (mm)	220±20	220±20	220±20	220±20
R (mm)	600±20	600±20	600±20	600±20
L (mm)	610	665	670	700



Splice Joint

.B49

The track sections are joined using the track joint by tightening the top screws first then aligning the profiles by means of the side screws.



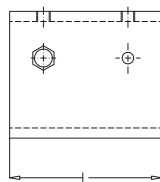
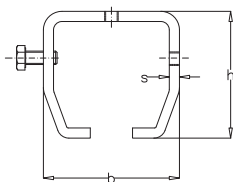
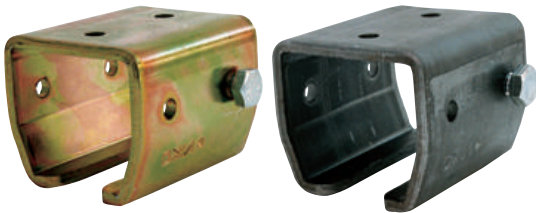
NIKO Profile No.	21.000	23.000	24.000	25.000	26.000	27.000
Splice joint No.	21.B49	23.B49	24.B49	25.B49	26.B49	27.B49
L (mm)	85	120	150	180	200	250
h (mm)	36	45	54	75	93	134
b (mm)	38	50	60	80	100	118
s (mm)	3	4	4,5	6	8	10

CONVEYOR SYSTEMS

Support Bracket

.B00/.B50

This bracket can be used and adapted for specific applications where standard supports are unsuitable.



NIKO Profile No.	21.000	23.000	24.000	25.000	26.000	27.000
Support bracket No. Zinc plated	21.B00	23.B00	24.B00	25.B00	26.B00	27.B00
Support bracket No. Black	21.B50	23.B50	24.B50	25.B50	26.B50	27.B50
L (mm)	40	55	68	90	110	120
b (mm)	38	50	60	80	100	118
h (mm)	36	45	54	75	93	134
s (mm)	36	4	4,5	6	8	10

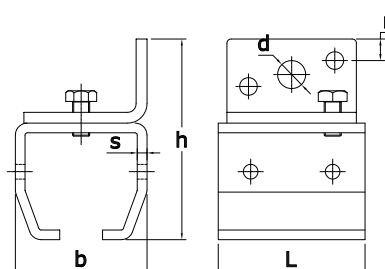
Wall Support Bracket

.B01

This kind of support is used for mounting the track directly on to a wall as well as for other constructions with mounting bolts.



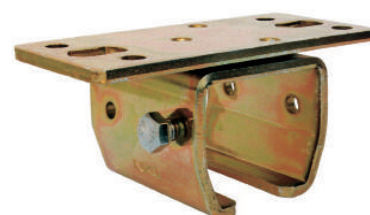
NIKO Profile No.	21.000	23.000	24.000	25.000	26.000	27.000
Wall support bracket No.	21.B01	23.B01	24.B01	25.B01	26.B01	27.B01
b (mm)	38	49	60	80	100	118
h (mm)	60	76	95	125	155	210
L (mm)	40	55	68	90	110	120
n (mm)	10	13	16,5	18	25	32
d (mm)	8Φ	11Φ	13Φ	17Φ	22Φ	26Φ
s (mm)	3	4	4,5	6	8	10



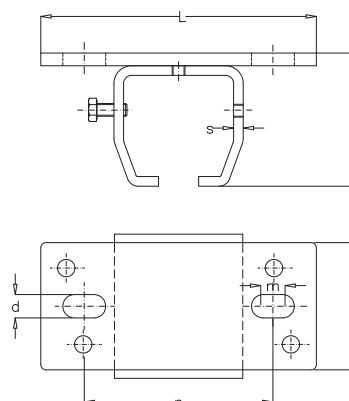
Ceiling Support Bracket

.B02

This bracket is designed for bolting direct to overhead steelwork or ceiling.



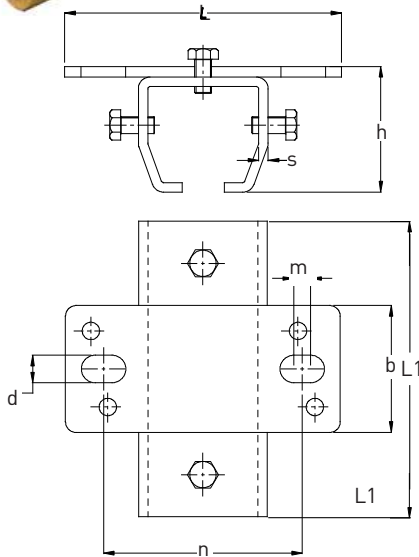
NIKO Profile No.	21.000	23.000	24.000	25.000	26.000	27.000
Support bracket No.	21.B02	23.B02	24.B02	25.B02	26.B02	27.B02
L (mm)	88	115	130	170	210	260
h (mm)	39	51	60	83	103	146
b (mm)	40	50	60	80	100	118
d (mm)	8	11	13	17	22	22
n (mm)	63	80	94	124	148	178,5
s (mm)	3	4	4,5	6	8	10
m (mm)	7	8	8	10	12	23,5



Ceiling Support Joint

.B30

This is a combination of a ceiling support and a splice joint.

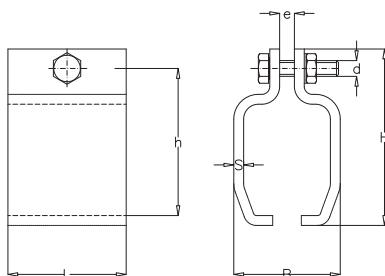


NIKO Profile No.	21.000	23.000	24.000	25.000	26.000	27.000
Support Joint No.	21.B30	23.B30	24.B30	25.B30	26.B30	27.B30
L (mm)	90	115	130	170	210	260
h (mm)	39	51	60	83	107	150
s (mm)	3	4	4,5	6	8	10
b (mm)	40	55	68	90	110	120
m (mm)	7,5	8	8	10	12	23,5
n (mm)	63,5	80	94	124	148	178,5
d (mm)	8	11	13	17	22	22
L1 (mm)	85	120	150	180	200	250

Split Support Bracket

.B03

This bracket is generally used for variable height configurations.



NIKO Profile No.	21.000	23.000	24.000	25.000	26.000	27.000
Support bracket No.	21.B03	23.B03	24.B03	25.B03	26.B03	27.B03
B (mm)	36	48	56,5	77	96	110
H (mm)	64,5	80	88	132	150	180
L (mm)	40	50	50	90	110	120
h (mm)	49	59	70	94	111	148
s (mm)	3	4	4	6	8	10
e (mm)	6	8	8	10	10	15
d (mm)	M10	M12	M12	M16	M16	M16

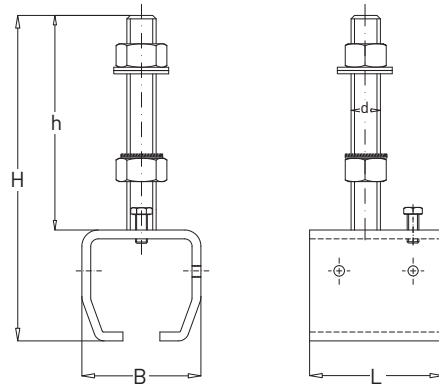
Adjustable Bracket

.B04

This allows us to adjust the height of the rails and to correct any misalignments.



NIKO Profile No.	21.000	23.000	24.000	25.000	26.000	27.000
Bracket No.	21.B04	23.B04	24.B04	25.B04	26.B04	27.B04
H (mm)	100	123	145	198	292	353
h (mm)	64	93,5	93,5	140	200	200
L (mm)	40	55	68	90	110	120
B (mm)	38	50	60	80	100	118
d (mm)	M10	M12	M16	M20	M24	M30



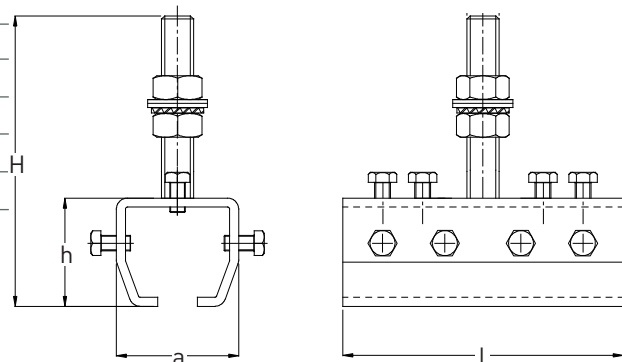
Height Adjustable Support Joint

.B11

This is a combination of a height adjustable bracket and a splice joint.



NIKO Profile No.	21.000	23.000	24.000	25.000	26.000	27.000
Support Joint No.	21.B11	23.B11	24.B11	25.B11	26.B11	27.B11
H (mm)	100	135	145	215	292	353
h (mm)	36	45	54	75	93	134
a (mm)	38	49	60	82	100	118
l (mm)	85	120	150	180	200	250

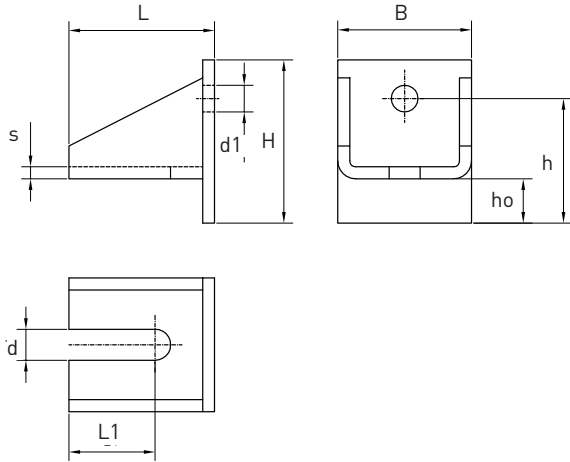
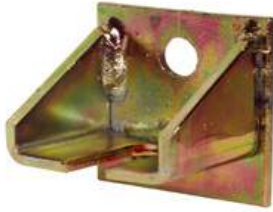


CONVEYOR SYSTEMS

Adjustable Wall Bracket

.B05

This is used in combination with the .B04 adjustable bracket and is usually mounted on the wall.



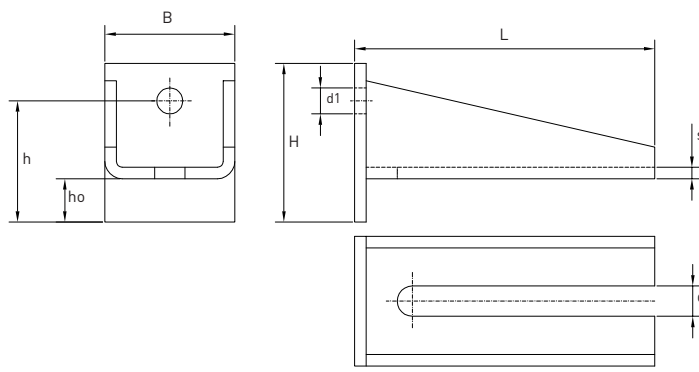
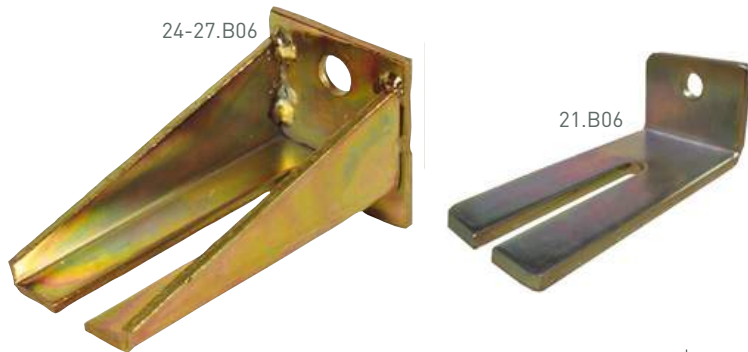
NIKO Profile No.	21.000	23/24.000	25/26.000
Adjustable wall bracket No.	21.B05	24.B05	26.B05
B (mm)	50	75	90
H (mm)	40	80	110
h (mm)	25	61	85
ho (mm)	-	22	31
L (mm)	49	60	98
L1 (mm)	31	31	60
s (mm)	5	5	8
d (mm)	10,5	17	21
d1 (mm)	Φ13	Φ17	Φ18

CONVEYOR SYSTEMS

Double Adjustable Wall Bracket

.B06

Canan accommodate 2 .B04 adjustable brackets.



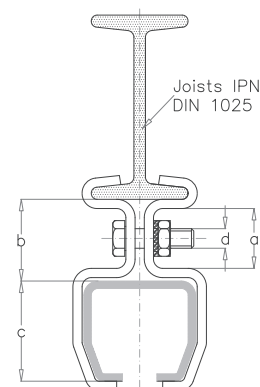
NIKO Profile No.	21.000	23/24.000	25/26.000	27.000
Bracket No.	21.B06	24.B06	26.B06	27.B06
B (mm)	60	75	90	90
H (mm)	49	80	110	110
h (mm)	35	61	85	85
ho (mm)	-	22	31	31
L (mm)	102,5	155	208	208
L1 (mm)	80	130	168	168
s (mm)	6	5	8	8
d (mm)	10,5	17	21	31
d1 (mm)	13	17	18	22

Split Suspension Bracket

.B08/.B26

This bracket is used for mounting directly to the underside flange of a parallel I beam.

NIKO Profile No.	23.000	24.000	25.000	26.000	27.000
Dimension a in mm.	25	25	42	46	66
Dimension b in mm.	34	34	56	63	95
Dimension c in mm.	35	44	60	75	110
Dimension d in mm.	9 Φ	9 Φ	17 Φ	17 Φ	17 Φ
Screw type	M8x30	M8x30	M16x50	M16x50	M16x50
Material	50x4	50x4	90x6	110x8	120x10
Split Suspension Bracket Joist IPN DIN 1025					
For IPN 80x42 (IPE 80)	23.B08	24.B08			
For IPN 100x50 (IPE 80)	23.B10	24.B10	25.B10		
For IPN 120x58 (IPE 100)	23.B12	24.B12	25.B12		
For IPN 140x66 (IPE 120)	23.B14	24.B14	24.B14		
For IPN 160x74 (IPE 140)		24.B16	25.B16	26.B16	
For IPN 180x82 (IPE 160)		24.B18	25.B18	26.B18	
For IPN 200x90 (IPE 180)		24.B20	25.B20	26.B20	27.B20
For IPN 220x98 (IPE 200)			25.B22	26.B22	27.B22
For IPN 240x106 (IPE 220)			25.B24	26.B24	27.B24
For IPN 260x113 (IPE 240)			25.B26	26.B26	27.B26

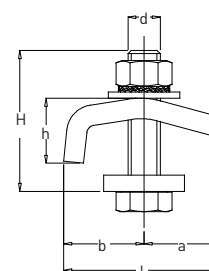


Adjustable Suspension Bracket

.B37

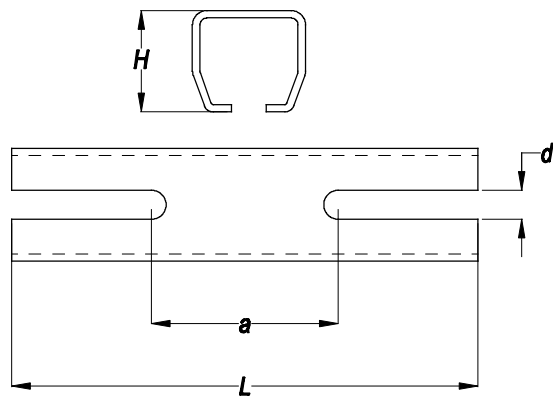
This item is used for clamping the adjustable suspension bracket to the support steelwork and is supplied with bolt and square nut.

NIKO Profile No.	23/24.000	25/26.000
Bracket No.	23.B37	25.B37
l (mm)	62	80
a (mm)	30	40
b (mm)	32	40
h (mm)	24	30
d (mm)	M12	M16
H (mm)	60	70



Adjustable Suspension Bracket .B38

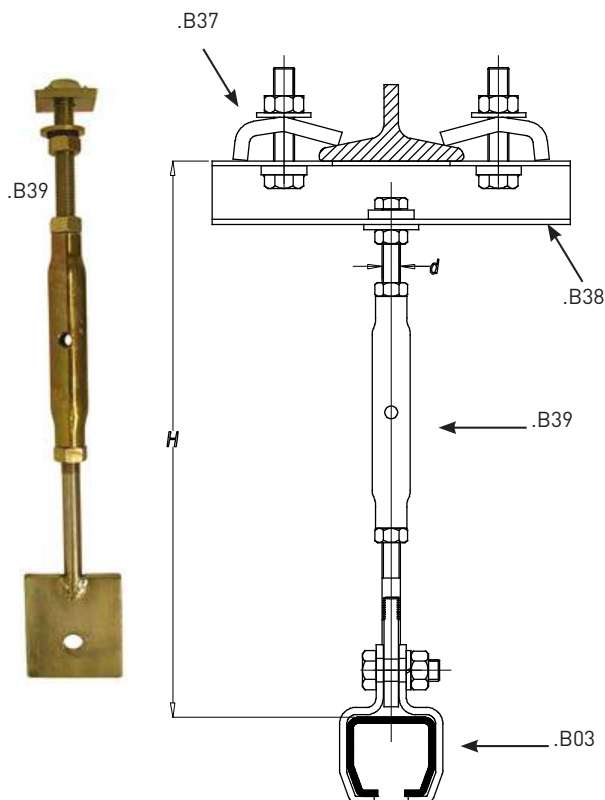
These brackets are designed to accommodate variations in support steelwork distances relative to the track level. They are normally used in conjunction with the split support brackets.



NIKO Profile No.	23.000	24.000	25.000	26.000
Bracket No.	23.B38		25.B38	
L (mm)	198		260	
a (mm)	76		90	
d (mm)	12,5		18	
H (mm)	35		60	

Adjustable Suspension Bracket .B39

This item is used for clamping the adjustable suspension bracket to the support steelwork and is supplied with bolt and square nut.

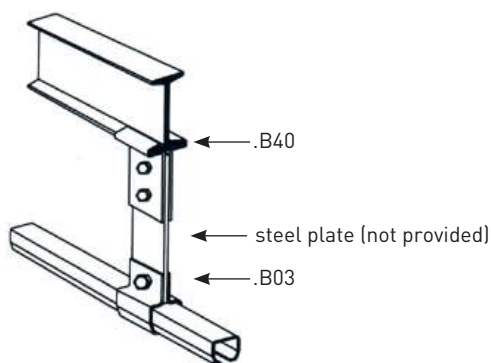


NIKO Profile No.	23.000	24.000	25.000	26.000
Bracket No.	23.B39		25.B39	
H max (mm)	375		585	
H min (mm)	265		410	
d (mm)	M12		M16	

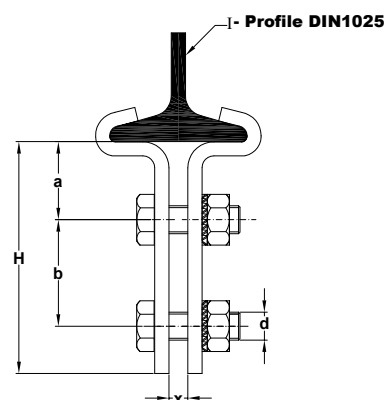
Split Suspension Bracket

.B40

This is normally connected with a steel plate to the bracket B03.



NIKO Profile No.	24.000 & 25.000			26.000 & 27.000	
Bracket No.	24.B40			26.B40	
Profile DIN 1025 IPN	100	120	140	160	180
X (mm)	8	16	24	16	24
a (mm)	33			40	
b (mm)	45			45	
d (mm)	M12			M16	
H (mm)	98			110	

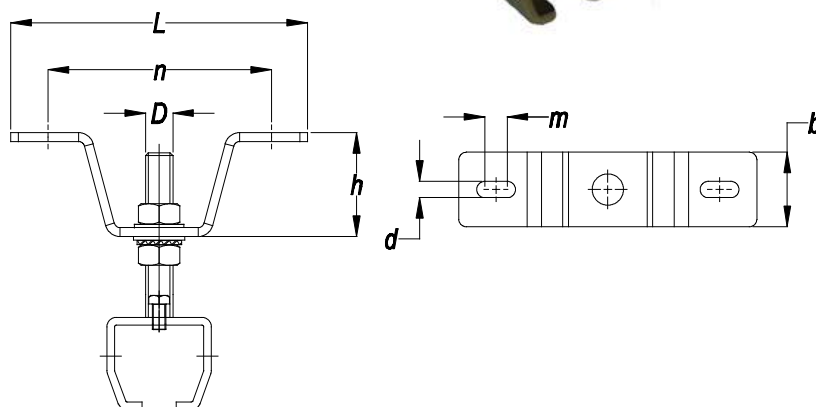


Adjustable Bracket with Ceiling Support

.B44



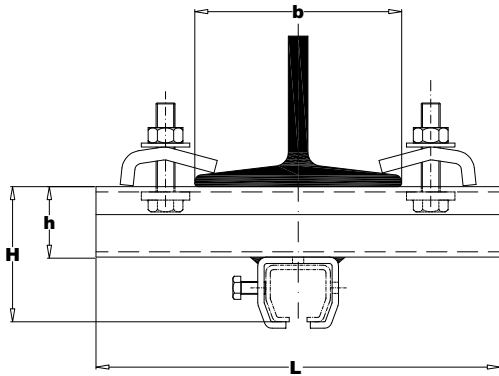
NIKO Profile No.	23.000	24.000	25.000
Bracket No.	23.B44	24.B44	25.B44
L (mm)	200	200	
n (mm)	150	150	
h (mm)	70	70	
m (mm)	15	15	
d (mm)	11	11	
b (mm)	50	50	
D (mm)	M16	M20	



CONVEYOR SYSTEMS

Adjustable Joist Clamp (Parallel to the I-beam)

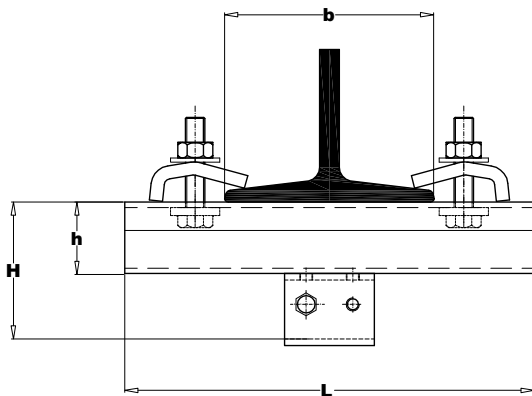
.B35



NIKO Profile No.	23.000	24.000	25.000	26.000	27.000
Bracket No.	23.B35	24.B35	25.B35	26.B35	27.B35
H (mm)	85	94	129	146	199
L (mm)	250		300		330
b (mm)	150		175		205
h (mm)	44		60		75

Adjustable Joist Clamp (Vertical to the I-beam)

.B36



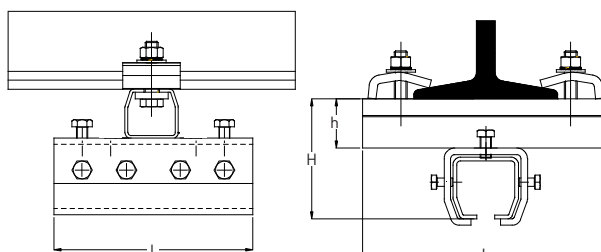
NIKO Profile No.	23.000	24.000	25.000	26.000	27.000
Bracket No.	23.B36	24.B36	25.B36	26.B36	27.B36
H (mm)	85	94	129	146	199
L (mm)	250		300		330
b (mm)	150		175		205
h (mm)	44		60		75

Adjustable Joist Clamp Joint (Parallel to the I-beam)

.B71



NIKO Profile No.	23.000	24.000	25.000	26.000	27.000
Adjustable joist No.	23.B71	24.B71	25.B71	26.B71	27.B71
H (mm)	85	94	129	146	199
L (mm)	250	250	300	300	330
h (mm)	44	44	60	60	75
l (mm)	120	150	180	200	250

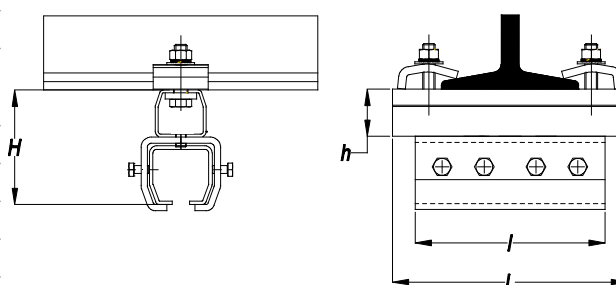


Adjustable Joist Clamp Joint (Vertical to the I-beam)

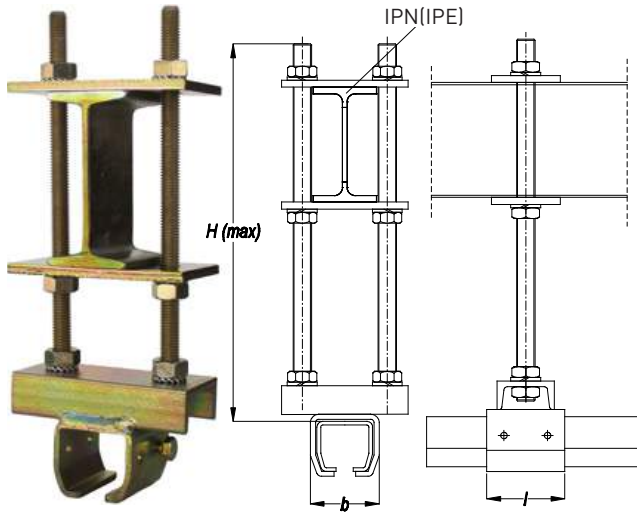
.B72



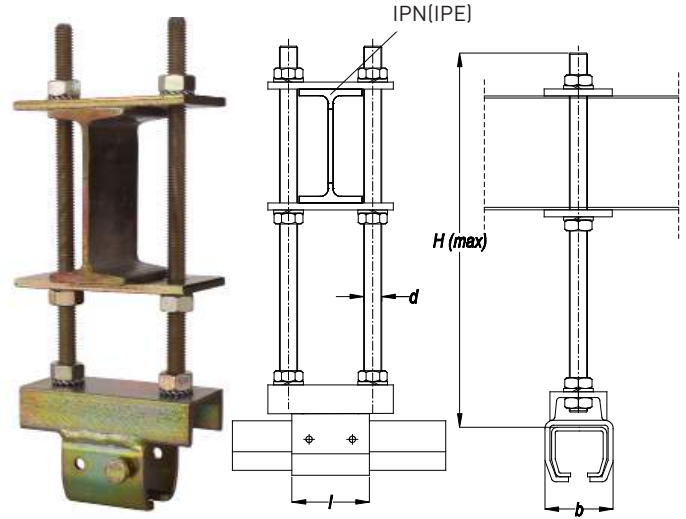
NIKO Profile No.	23.000	24.000	25.000	26.000	27.000
Adjustable joist No.	23.B72	24.B72	25.B72	26.B72	27.B72
H (mm)	85	94	129	146	199
h (mm)	44	44	60	60	75
l (mm)	120	150	180	200	250
L (mm)	250	250	300	300	330



.B55
parallel to the I-beam



.B56
vertical to the I-beam



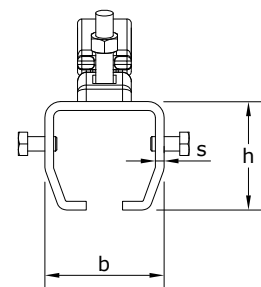
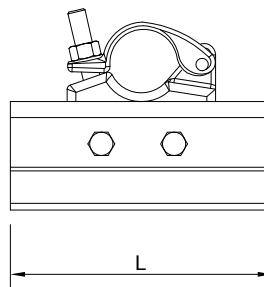
NIKO Profile No.	23.000	24.000	25.000	26.000	27.000
Bracket No. for IPN 80 (IPE 80)	23.B55.080	24.B55.080			
	23.B56.080	24.B56.080			
Bracket No. for IPN 100 (IPE 80)	23.B55.100	24.B55.100	25.B55.100		
	23.B56.100	24.B56.100	25.B56.100		
Bracket No. for IPN 120 (IPE 100)	23.B55.120	24.B55.120	25.B55.120		
	23.B56.120	24.B56.120	25.B56.120		
Bracket No. for IPN 140 (IPE 120)	23.B55.140	24.B55.140	25.B55.140		
	23.B56.140	24.B56.140	25.B56.140		
Bracket No. for IPN 160 (IPE 140)		24.B55.160	25.B55.160	26.B55.160	
		24.B56.160	25.B56.160	26.B56.160	
Bracket No. for IPN 180 (IPE 160)		24.B55.180	25.B55.180	26.B55.180	
		24.B56.180	25.B56.180	26.B56.180	
Bracket No. for IPN 200 (IPE 180)		24.B55.200	25.B55.200	26.B55.200	27.B55.200
		24.B56.200	25.B56.200	26.B56.200	27.B56.200
Bracket No. for IPN 220 (IPE 200)			25.B55.220	26.B55.220	27.B55.220
			25.B56.220	26.B56.220	27.B56.220
Bracket No. for IPN 240 (IPE 220)			25.B55.240	26.B55.240	27.B55.240
			25.B56.240	26.B56.240	27.B56.240
Bracket No. for IPN 260 (IPE 240)			25.B55.260	26.B55.260	27.B55.260
			25.B56.260	26.B56.260	27.B56.260
b (mm)	49	60	80	100	114
l (mm)	55	68	90	110	120
H max (mm)	500	500	500	500	500
d (mm)	M12	M16	M16	M20	M20

Scaffolding Splice Joint

.B80



NIKO Profile No.	24.000	25.000	26.000	27.000
Adjustable joist No.	24.B80	25.B80	26.B80	27.B80
L (mm)	150	180	200	250
b (mm)	60	80	100	118
h (mm)	54	75	93	134
s (mm)	4,5	6	8	10

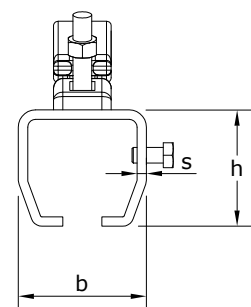
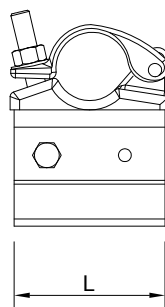


Scaffolding Support Bracket

.B81

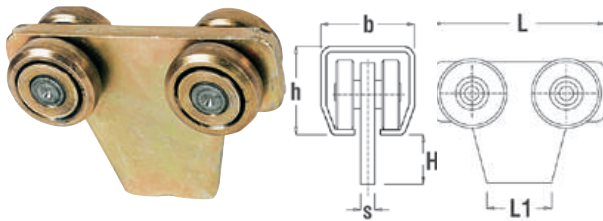


NIKO Profile No.	24.000	25.000	26.000	27.000
Adjustable joist No.	24.B81	25.B81	26.B81	27.B81
L (mm)	68	90	110	120
b (mm)	60	80	100	118
h (mm)	54	75	93	134
s (mm)	4,5	6	8	10



4-Wheel Trolley for Welding

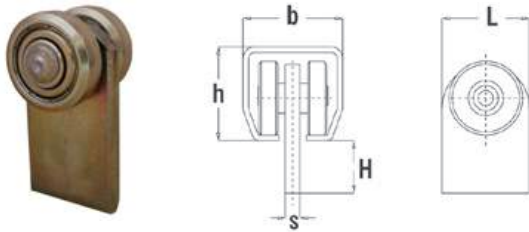
.T00



NIKO Profile No.	21.000	23.000	24.000	25.000	26.000	27.000
Item Ref	21.T00	23.T00	24.T00	25.T00	26.T00	27.T00
SWL Kg	20	40	80	200	400	800
H (mm)	24	25	34	34	42,5	49
L (mm)	60	80	100	120	145	210
h (mm)	28	35	43,5	60	75	110
b (mm)	30	40	48,5	65	80	90
L1 (mm)	19	30	35	45	83	105
s (mm)	4,5	6	8	10	12	15

2-Wheel Trolley for Welding

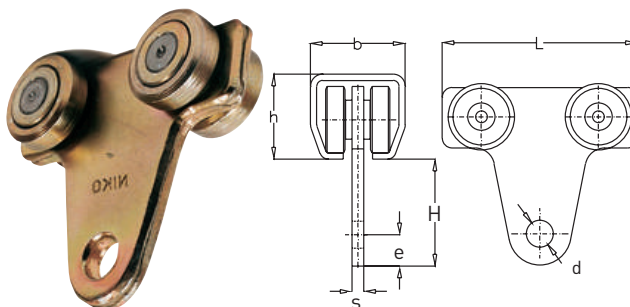
.T01



NIKO Profile No.	21.000	23.000	24.000	25.000	26.000	27.000
Item Ref	21.T01	23.T01	24.T01	25.T01	26.T01	27.T01
SWL Kg	10	20	40	100	200	400
H (mm)	24	25	34	34	42,5	49
h (mm)	28	35	43,5	60	75	110
b (mm)	30	40	48,5	65	80	90
L (mm)	25	30	40	50	70	100
s (mm)	5	6	8	10	12	15

4-Wheel Trolley with Hole

.T10

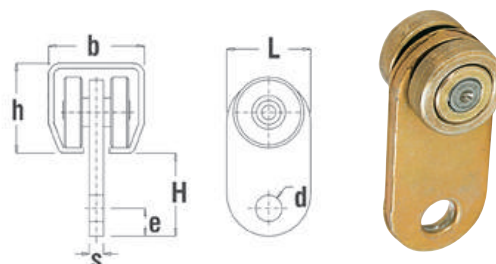


NIKO Profile No.	21.000	23.000	24.000	25.000	26.000	27.000
Item Ref	21.T10	23.T10	24.T10	25.T10	26.T10	27.T10
SWL Kg	20	40	80	200	400	800
H (mm)	29,5	44	54	62	70	108
L (mm)	60	80	100	120	145	210
h (mm)	28	35	43,5	60	75	110
b (mm)	30	40	48,5	65	80	90
d (mm)	8	10	14	18	22	26
e (mm)	10	12	15	20	24	35
s (mm)	4,5	6	8	10	12	15

2-Wheel Trolley with Hole

.T11

NIKO Profile No.	21.000	23.000	24.000	25.000	26.000	27.000
Item Ref	21.T11	23.T11	24.T11	25.T11	26.T11	27.T11
SWL Kg	10	20	40	100	200	400
H (mm)	29,5	44	54	62	70	108
L (mm)	25	30	40	50	70	100
h (mm)	28	35	43,5	60	75	110
b (mm)	30	40	48,5	65	80	90
d (mm)	6	10	14	18	22	26
e (mm)	10	12	15	20	24	35
s (mm)	5	6	8	10	12	15

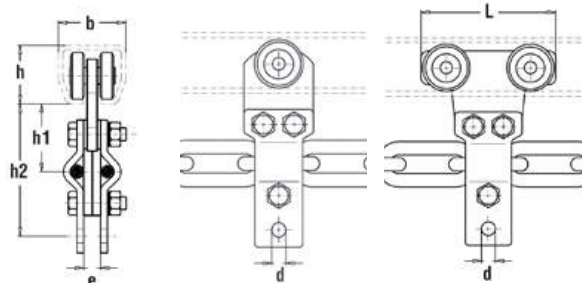


Trolleys for Chain

.T05/.T06

Our 2 or 4 wheel trolleys for power chain driven systems are suitable for hanging loads, for production lines which are electrically operated and for transporting products.

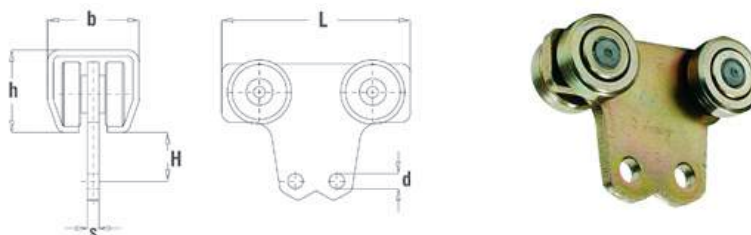
NIKO Profile No.	23.000		24.000		25.000
Item Ref	23.T05	23.T06	24.T05	24.T06	25.T06
SWL Kg	20	40	40	80	200
L (mm)	40	80	40	100	120
b (mm)	40		48,5		65
h (mm)	35		43,5		60
h1 (mm)	40		49		49,5
h2 (mm)	80		89,5		89,5
e (mm)	10		10		10
d (mm)	8,2		8,2		8,2



4-Wheel Trolley with two Holes

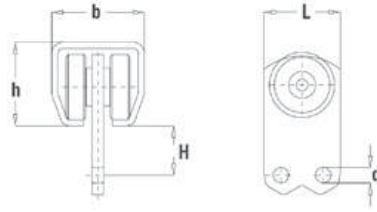
.T07

NIKO Profile No.	23.000	24.000	25.000
Item Ref	23.T07	24.T07	25.T07
SWL Kg	40	80	200
H (mm)	18	27	-
h (mm)	35	43,5	60
b (mm)	40	48,5	65
L (mm)	80	100	120
d (mm)	8	8	9
S (mm)	6	8	10



2-Wheel Trolley with two Holes

.T08

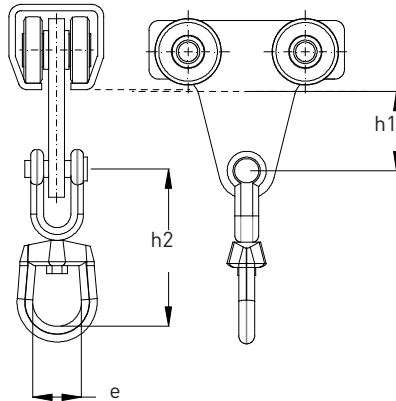


NIKO Profile No.	23.000	24.000
Item Ref	23.T08	24.T08
SWL Kg	20	40
H (mm)	18	27
h (mm)	35	43,5
b (mm)	40	48,5
L (mm)	40	40
d (mm)	8	8

4-Wheel Trolley with Rotating Ring

.T70

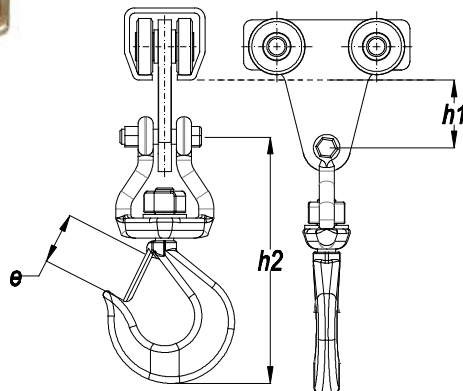
CONVEYOR SYSTEMS



NIKO Profile No.	23.000	24.000	25.000	26.000	27.000
Item Ref	23.T70	24.T70	25.T70	26.T70	27.T70
SWL Kg	40	80	200	400	800
h1 (mm)	32	39	42	46	73
h2 (mm)	79	79	79	98	126
e (mm)	25	25	25	31	37

4-Wheel Trolley with Rotating Hook

.T71



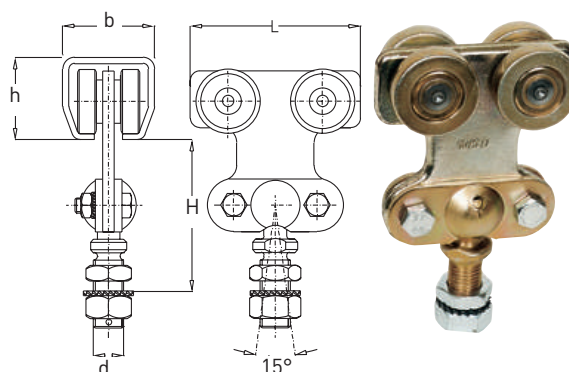
NIKO Profile No.	23.000	24.000	25.000	26.000	27.000
Item Ref	23.T71	24.T71	25.T71	26.T71	27.T71
SWL Kg	40	80	200	400	800
h1 (mm)	39	42	46	73	73
h2 (mm)	125	125	125	152	126
e (mm)	24	24	24	28	37

4-Wheel Trolley with Rotating Screw

.T14

With a special ball joint in order for the screw to rotate and oscillate 15°.

NIKO Profile No.	23.000	24.000	25.000	26.000	27.000
Item Ref.	23.T14	24.T14	25.T14	26.T14	27.T14
SWL Kg	40	80	200	400	800
H max (mm)	68	79	107	134	153
H min (mm)	62	70	96	118	123
h (mm)	35	43,5	60	75	110
b (mm)	40	48,5	65	80	90
L (mm)	70	90	110	140	200
d (mm)	M12	M16	M20	M24	M30

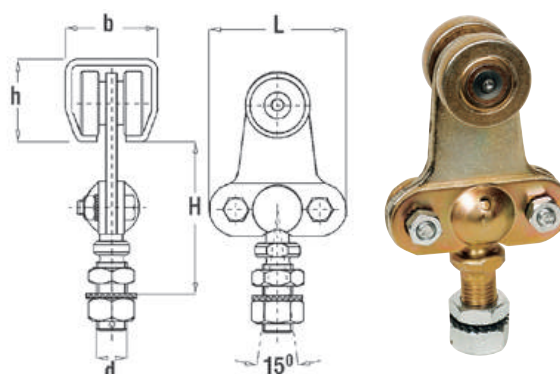


2-Wheel Trolley with Rotating Screw

.T15

With a special ball joint in order for the screw to rotate and oscillate 15°.

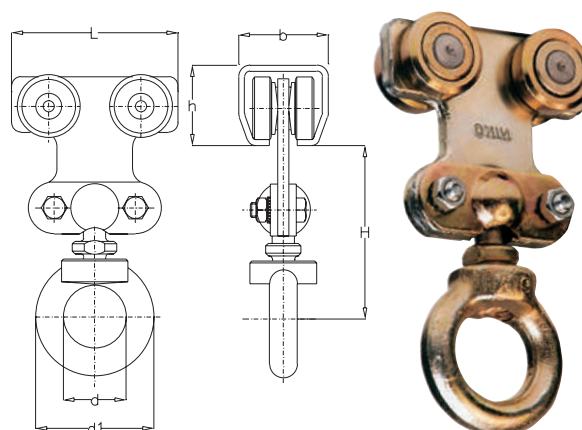
NIKO Profile No.	23.000	24.000	25.000	26.000	27.000
Item Ref.	23.T15	24.T15	25.T15	26.T15	27.T15
SWL Kg	20	40	100	200	400
H max (mm)	68	79	107	134	153
H min (mm)	62	70	96	118	123
h (mm)	35	43,5	60	75	110
b (mm)	40	48,5	65	80	90
d (mm)	M12	M16	M20	M24	M30
L (mm)	66	72	96	122	122



4-Wheel Trolley with a Rotating Eye Nut DIN 582.T20

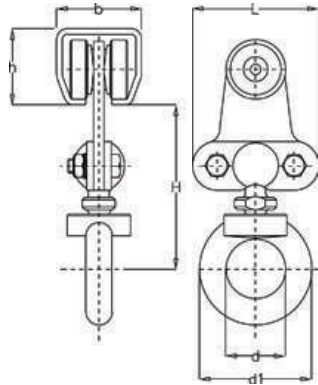
With a ball joint in order for the ring to rotate and oscillate.

NIKO Profile No.	23.000	24.000	25.000	26.000	27.000
Item Ref.	23.T20	24.T20	25.T20	26.T20	27.T20
SWL Kg	40	80	200	400	800
H (mm)	85	96,5	122	145	182
h (mm)	35	43,5	60	75	110
b (mm)	40	48,5	65	80	90
L (mm)	70	90	110	140	200
d (mm)	30	35	40	50	60
d1 (mm)	54	63	72	90	108



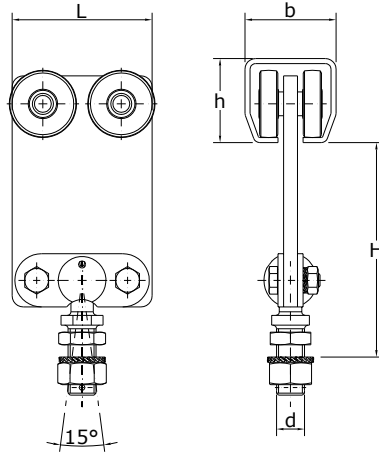
2-Wheel Trolley with a Rotating Eye Nut DIN 582.T19

With a ball joint in order for the ring to rotate and oscillate.



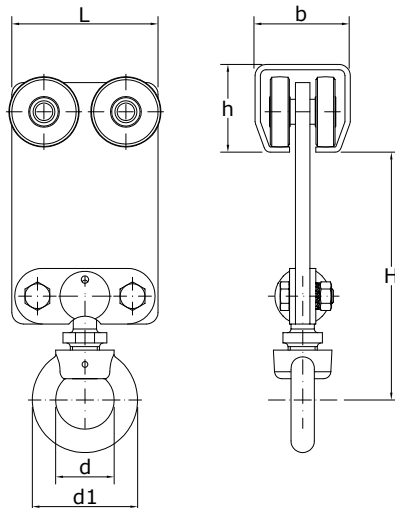
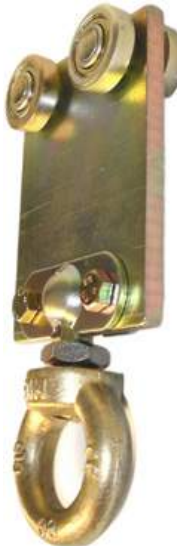
NIKO Profile No.	23.000	24.000	25.000	26.000	27.000
Item Ref	23.T19	24.T19	25.T19	26.T19	27.T19
SWL Kg	20	40	100	200	400
H (mm)	85	96,5	122	145	182
h (mm)	35	43,5	60	75	110
b (mm)	40	48,5	65	80	90
L (mm)	66	72	96	122	122
d (mm)	30	35	40	50	60
d1 (mm)	54	63	72	90	108

4-Wheel Trolley with Rotating Screw .T12



NIKO Profile No.	24.000	25.000	26.000	27.000
Item Ref.	24.T12	25.T12	26.T12	27.T12
SWL Kg	80	200	400	800
L	90	100	120	150
b	48,5	65	80	90
h	43,5	60	75	110
H	113	148	181	226
d	M16	M20	M24	M30

4-Wheel Trolley With a Rotating Eye Nut DIN 582 .T13

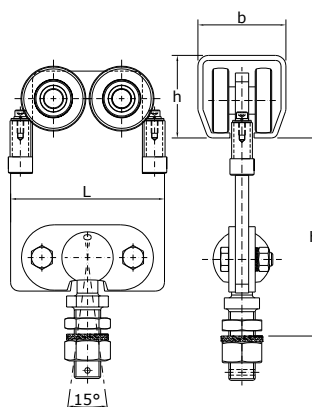


NIKO Profile No.	24.000	25.000	26.000	27.000
Item Ref.	24.T13	25.T13	26.T13	27.T13
SWL Kg	80	200	400	800
L (mm)	90	100	120	150
b (mm)	48,5	65	80	90
h (mm)	43,5	60	75	110
H (mm)	113	148	181	226
d (mm)	35	40	50	60
d ₁ (mm)	63	72	90	108

4-Wheel Trolley with Rotating Screw and Guide Rollers

.T42

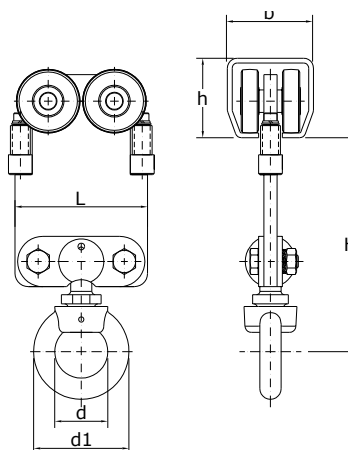
NIKO Profile No.	24.000	25.000	26.000	27.000
Item Ref.	24.T42	25.T42	26.T42	27.T42
SWL Kg	80	200	400	800
L	90	100	140	180
b	48,5	65	80	90
h	43,5	60	75	110
H	113	148	181	226



4-Wheel Trolley with a Rotating Eye Nut DIN 582 and Guide Rollers

.T43

NIKO Profile No.	24.000	25.000	26.000	27.000
Item Ref.	24.T43	25.T43	26.T43	27.T43
SWL Kg	80	200	400	800
d	35	40	50	60
d1	63	72	90	108
L	90	100	140	180
h	43,5	60	75	110
b	48,5	65	80	90
H	129	164	197	242

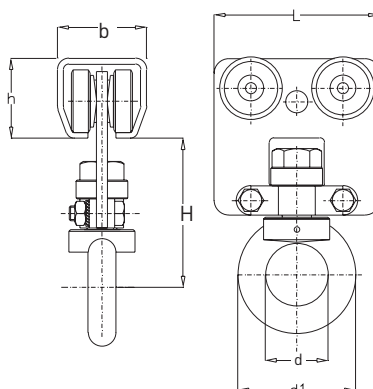


CONVEYOR SYSTEMS

4-Wheel Trolley with a Rotating Eye Nut DIN 582

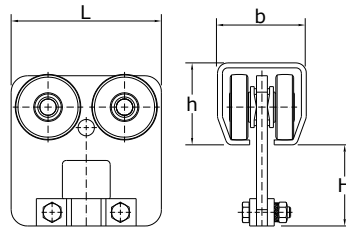
.T40

NIKO Profile No.	24.000	24.000	25.000	26.000	27.000
Item Ref	23.T40	24.T40	25.T40	26.T40	27.T40
SWL Kg	40	80	200	400	800
H (mm)	72	76,5	93	123	163
h (mm)	35	43,5	60	75	110
b (mm)	40	48,5	65	80	90
L (mm)	68	90	110	150	200
d (mm)	30	35	40	50	60
d1 (mm)	54	63	72	90	108



4-Wheel Trolley without a Rotating Eyenut

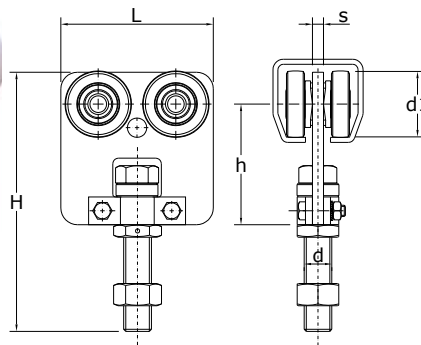
.T41



NIKO Profile No.	23.000	24.000	25.000	26.000	27.000
Item Ref	23.T41	24.T41	25.T41	26.T41	27.T41
SWL Kg	40	80	200	400	800
L (mm)	68	90	110	150	200
b (mm)	40	48,5	65	80	90
h (mm)	35	43,5	60	75	110
H (mm)	32	46,5	50	75	90

4-Wheel Trolley with Rotating Screw

.R51

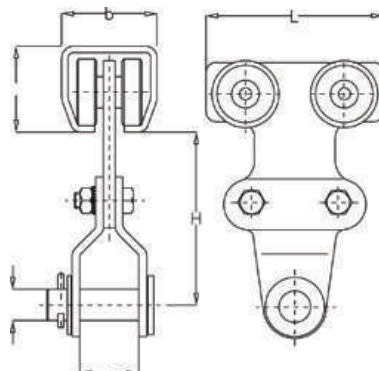


NIKO Profile No.	24.000	24.000	25.000	26.000	27.000
Item Ref	23.R51	24.R51	25.R51	26.R51	27.R51
SWL Kg	40	80	200	400	800
L (mm)	68	90	110	150	200
H (mm)	120	140	187	285	360
s (mm)	4,5	6	8	12	16
d1 (mm)	28	34	48	60	89
h (mm)	62	70	88	113	156
d (mm)	M12	M16	M20	M24	M30

4-Wheel Trolley with Pin (bolted)

.T44

Suitable for hoists with fixed lugs eye's on hook suspension.



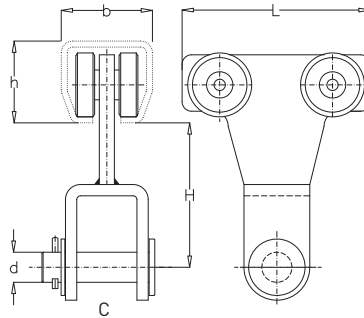
NIKO Profile No.	24.000	25.000	26.000
Item Ref	24.T44	25.T44	26.T44
SWL Kg	80	200	400
H (mm)	89	124	140
h (mm)	43,5	60	75
b (mm)	48,5	65	80
L (mm)	90	110	140
C (mm)	30	38	40
d (mm)	16	20	22

4-Wheel Trolley with Pin (welded)

.T46

Suitable for direct suspension of winch or loads.

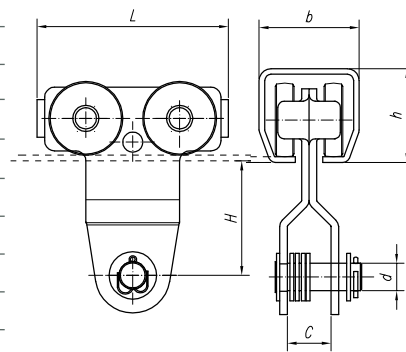
NIKO Profile No.	24.000	25.000	26.000	27.000
Item Ref	24.T46	25.T46	26.T46	27.T46
SWL Kg	80	200	400	800
H (mm)	78	90	112	117
h (mm)	43,5	60	75	110
b (mm)	48,5	65	80	90
L (mm)	100	120	145	-
C (mm)	32	32	40	40
d (mm)	16	20	20	20



4-Wheel Trolley with Pin and Buffer (plate)

.T48

NIKO Profile No.	24.000	25.000	26.000	27.000
Item Ref	24.T48	25.T48	26.T48	27.T48
SWL Kg	125	250	500	1000
L (mm)	100	130	152	215
H (mm)	65	77	94	123
b (mm)	48,5	65	80	90
h (mm)	43,5	60	75	110
d (mm)	Φ16	Φ20	Φ22	Φ26
c (mm)	30	37	35	45

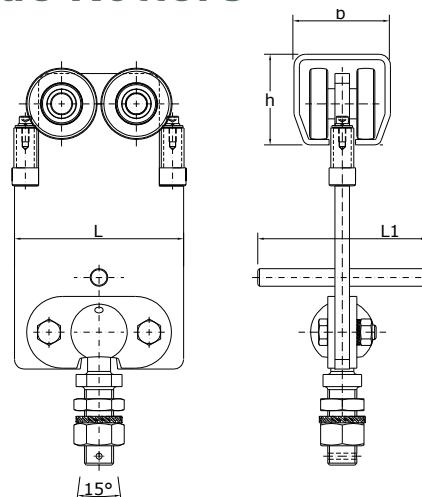


CONVEYOR SYSTEMS

4-Wheel Trolley with Rotating Screw, "Dog Pin" and Guide Rollers

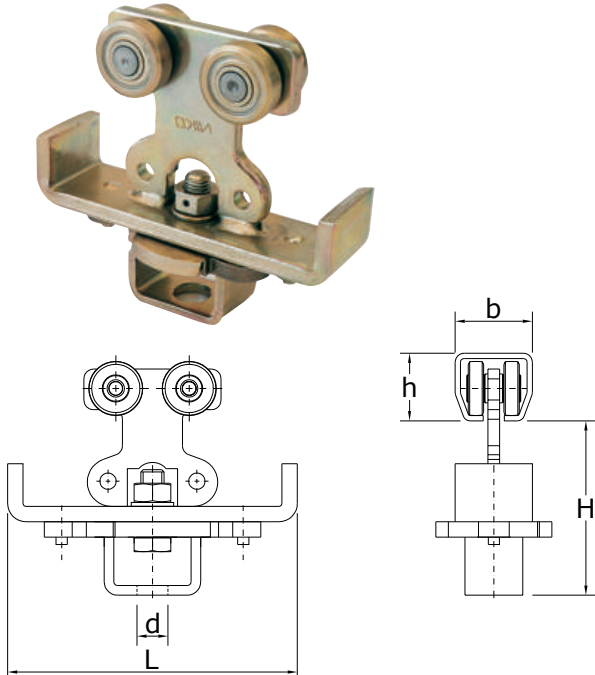
.T47

NIKO Profile No.	24.000	25.000
Item Ref	24.T47	25.T47
SWL Kg	80	200
L (mm)	90	100
h (mm)	43,5	60
b (mm)	48,5	65
L1 (mm)	148	150



Trolley with Spring loaded 90° Rotating Indexing Unit

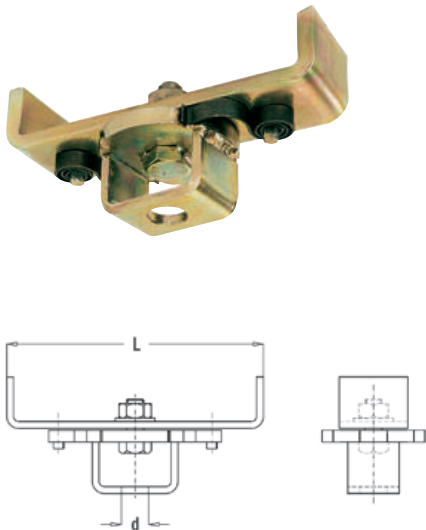
.T30/.T31



NIKO Profile No.	23.000		24.000		25.000	
Item Ref	23.T30	23.T31	24.T30	24.T31	25.T30	25.T31
SWL Kg	40	40	80	80	160	160
L (mm)	150	250	150	250	150	250
H (mm)	88	88	97	97	117,5	117,5
h (mm)	35	35	43,5	43,5	60	60
b (mm)	40	40	48,5	48,5	65	65
d (mm)	16	16	16	16	16	16

90° Rotating Indexing Unit (spring type)

.T75/.T76

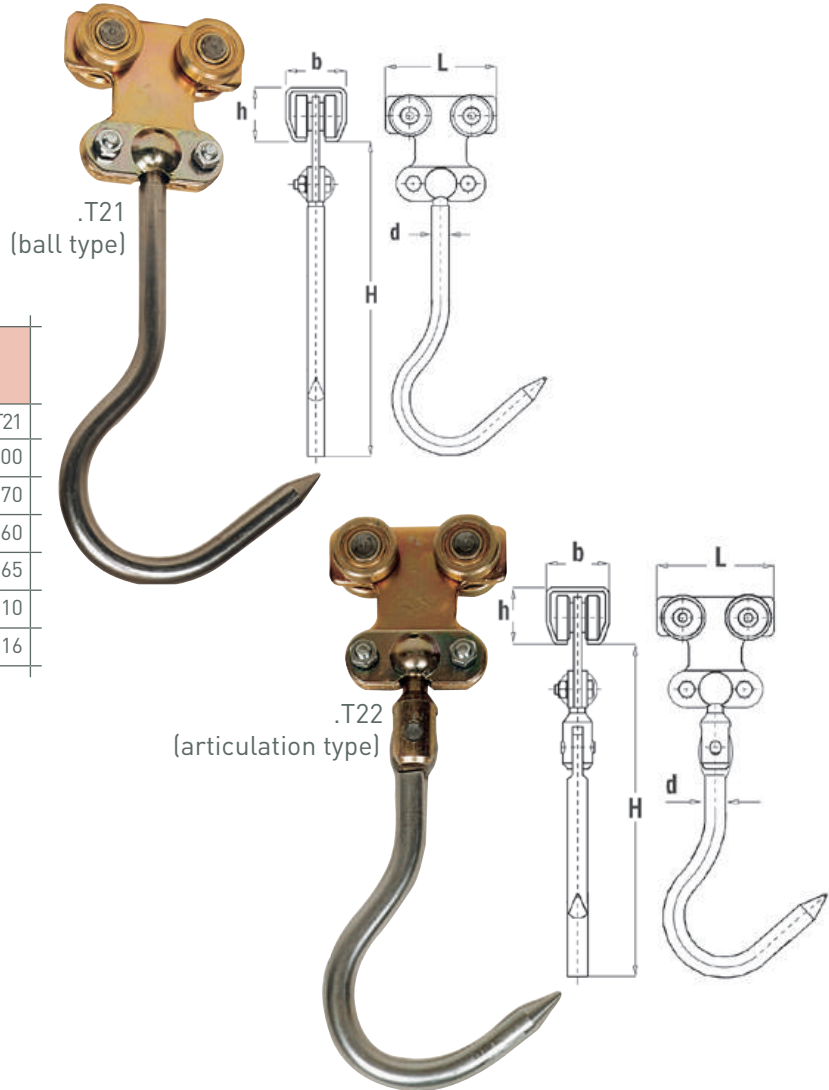


NIKO Profile No.	24.000	
Item Ref	24.T75	24.T76
L (mm)	150	250
d (mm)	16	16

Trolley with Stainless Steel Hook

.T21/.T22

Suitable for the transport of meat with a rotation capability of 360° and swinging at a 15° angle.



NIKO Profile No.	24.000		25.000	
	Item Ref.	24.T22	24.T21	25.T22
SWL Kg	100	100	200	200
H (mm)	243	253	280	270
h (mm)	43,5	43,5	60	60
b (mm)	48,5	48,5	65	65
L (mm)	90	90	110	110
d (mm)	16	14	16	16

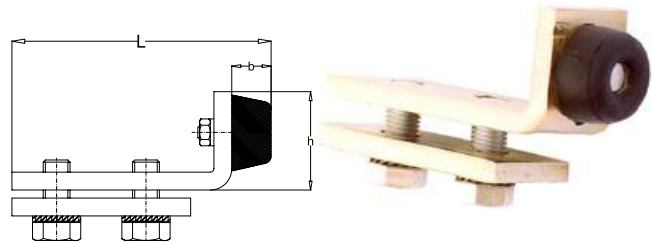
CONVEYOR SYSTEMS

Track End Stop

.X01

The end stop with a rubber buffer is positioned at the end of the open profiles. Used in conjunction with a fixed cross bolt.

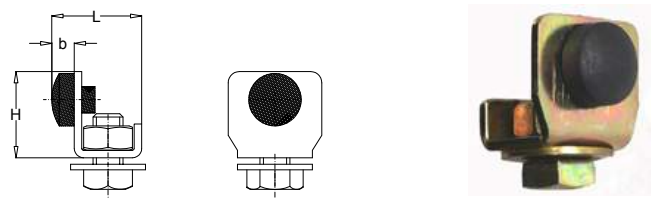
NIKO Profile No.	23.000	24.000	25.000	26.000	27.000
Item Ref	23.X01	24.X01	25.X01	26.X01	27.X01
L (mm)	73	87	122	145	145
h (mm)	24	30	45	55	77
b (mm)	10	10	22	22	22



Track end stop

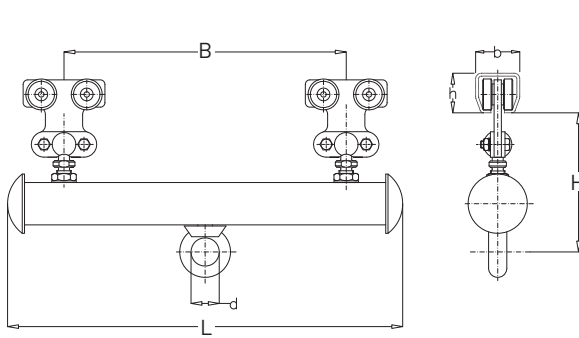
.X04

NIKO Profile No.	21.000
Item Ref	21.X04
L (mm)	25
H (mm)	23
b (mm)	6



Flight Bar with Fixed Eye Nut

.T24

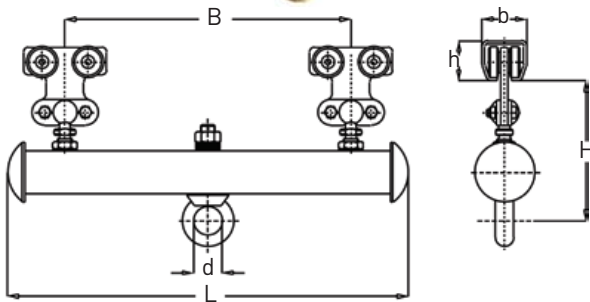


NIKO Profile No.	23.000	24.000	25.000	26.000	27.000
Item Ref	23.T24	24.T24	25.T24	26.T24	27.T24
SWL Kg	80	160	400	800	1600
H (mm)	123	145	179	204	262
h (mm)	35	43,5	60	75	110
b (mm)	40	48,5	65	80	90
B (mm)	180	300	420	600	700
L (mm)	300	450	600	700	1000
d (mm)	30	35	40	50	60

CONVEYOR SYSTEMS

Flight Bar with Rotating Eye Nut

.T26



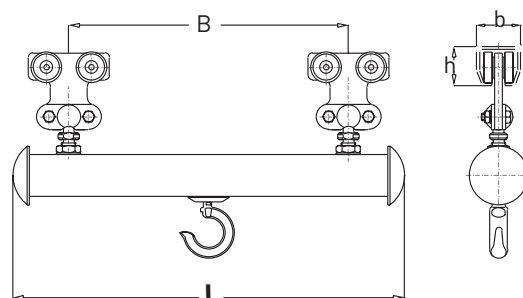
NIKO Profile No.	23.000	24.000	25.000	26.000	27.000
Item Ref	23.T26	24.T26	25.T26	26.T26	27.T26
SWL Kg	80	160	400	800	1600
H (mm)	123	145	179	204	262
h (mm)	35	43,5	60	75	110
b (mm)	40	48,5	65	80	90
B (mm)	180	300	420	500	700
L (mm)	300	450	600	700	1000
d (mm)	30	35	40	50	60

Flight Bar with Fixed Hook

.T28

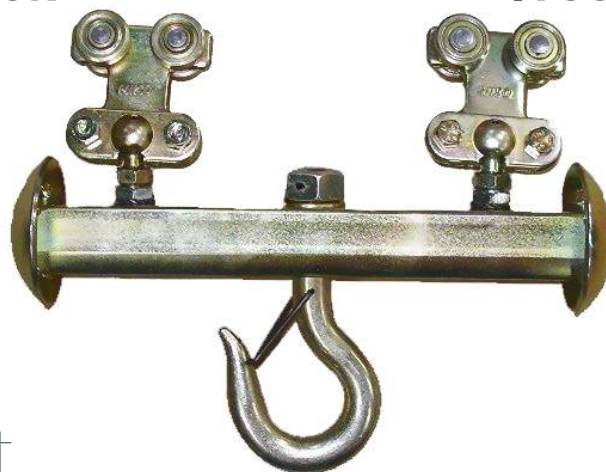


NIKO Profile No.	23.000	24.000	25.000	26.000	27.000
Item Ref	23.T28	24.T28	25.T28	26.T28	27.T28
SWL Kg	80	160	400	800	1600
H (mm)	123	145	179	204	262
h (mm)	35	43,5	60	75	110
b (mm)	40	48,5	65	80	90
B (mm)	180	300	420	500	700
L (mm)	300	450	600	700	1000

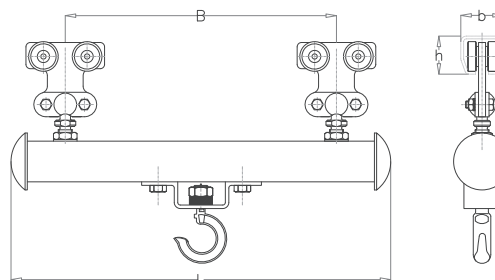


Flight Bar with Rotating Hook

.T38

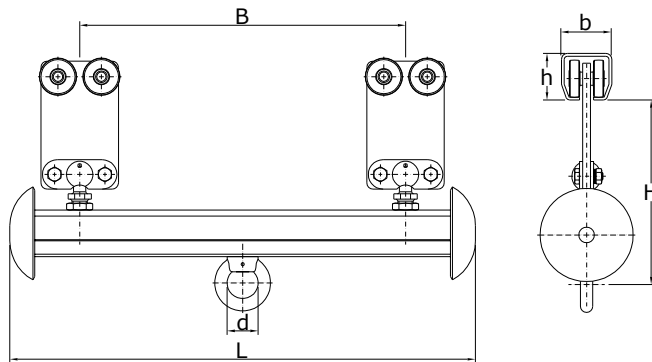
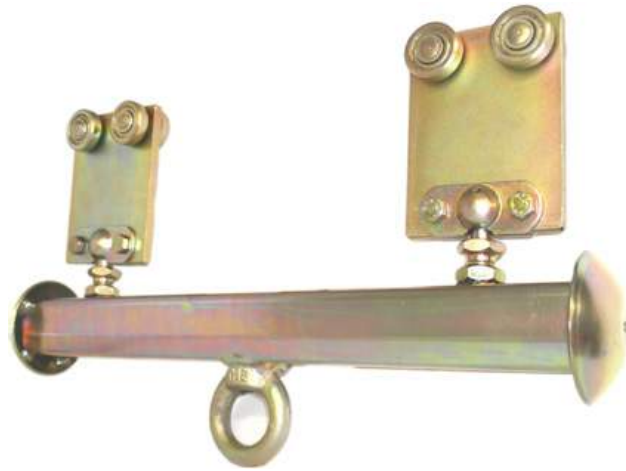


NIKO Profile No.	23.000	24.000	25.000	26.000	27.000
Item Ref	23.T38	24.T38	25.T38	26.T38	27.T38
SWL Kg	80	160	400	800	1600
H (mm)	123	145	179	204	262
h (mm)	35	43,5	60	75	110
b (mm)	40	48,5	65	80	90
B (mm)	180	300	420	500	700
L (mm)	300	450	600	700	1000



Flight Bar with Eye Nut (2 x .T12 trolley)

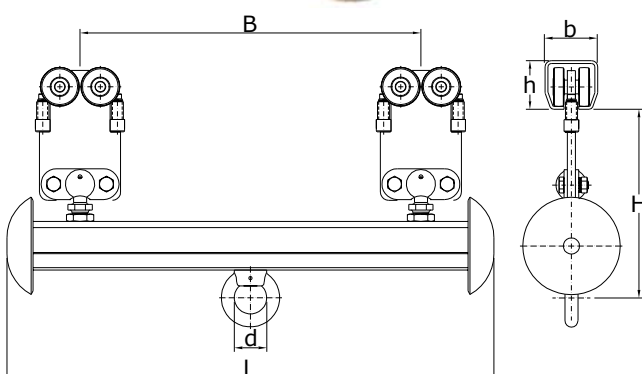
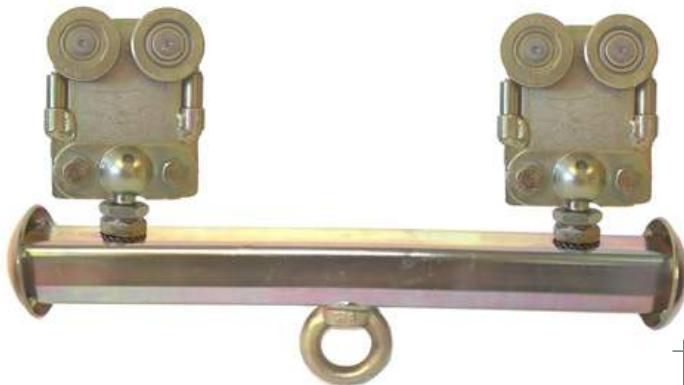
.T64



NIKO Profile No.	24.000	25.000	26.000	27.000
Item Ref	24.T64	25.T64	26.T64	27.T64
SWL Kg	160	400	800	1600
B (mm)	300	420	500	700
d (mm)	35	40	50	60
L (mm)	450	600	700	1000
h (mm)	43,5	60	75	110
b (mm)	48,5	65	80	90
H (mm)	207	238	263	283

Flight Bar with Eye Nut (2 x .T42 trolley)

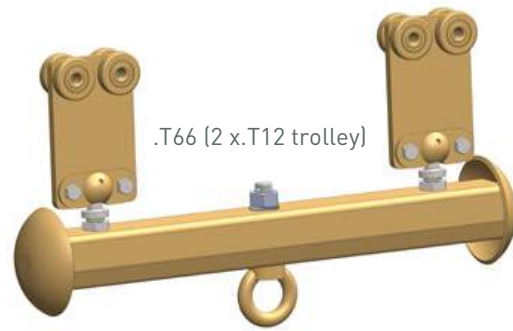
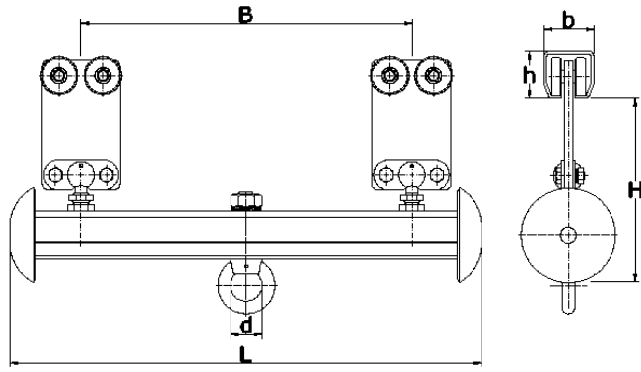
.T65



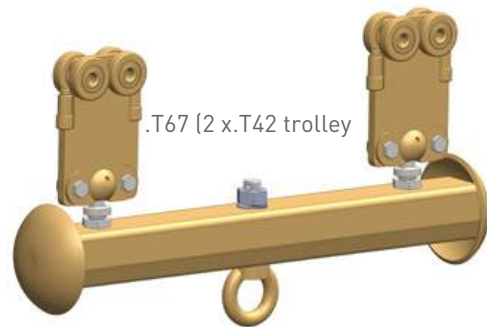
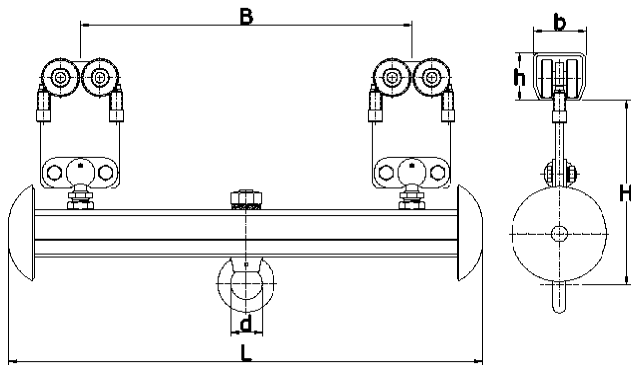
NIKO Profile No.	24.000	25.000	26.000	27.000
Item Ref	24.T65	25.T65	26.T65	27.T65
SWL Kg	160	400	800	1600
B (mm)	300	420	500	700
d (mm)	35	40	50	60
L (mm)	450	600	700	1000
h (mm)	43,5	60	75	110
b (mm)	48,5	65	80	90
H (mm)	201	232	257	277

Flight Bar with Rotating Eye Nut

.T66/ .T67



NIKO Profile No.	24.000	25.000	26.000	27.000
Item Ref	24.T66	25.T66	26.T66	27.T66
Item Ref	24.T67	25.T67	26.T67	27.T67
SWL Kg	160	400	800	1600
B (mm)	300	420	500	700
d (mm)	35	40	50	60
L (mm)	450	600	700	1000
h (mm)	43,5	60	75	110
b (mm)	48,5	65	80	90
H (mm)	207	238	263	283

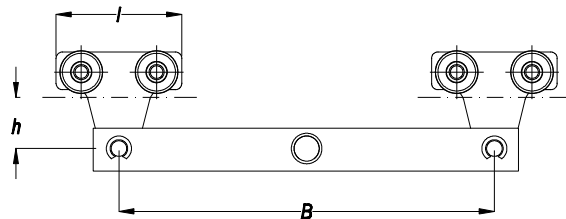


CONVEYOR SYSTEMS

Flight Bar with Plates and Pin

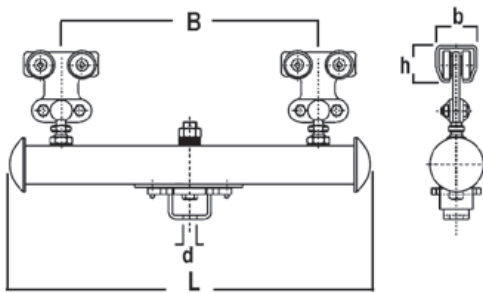
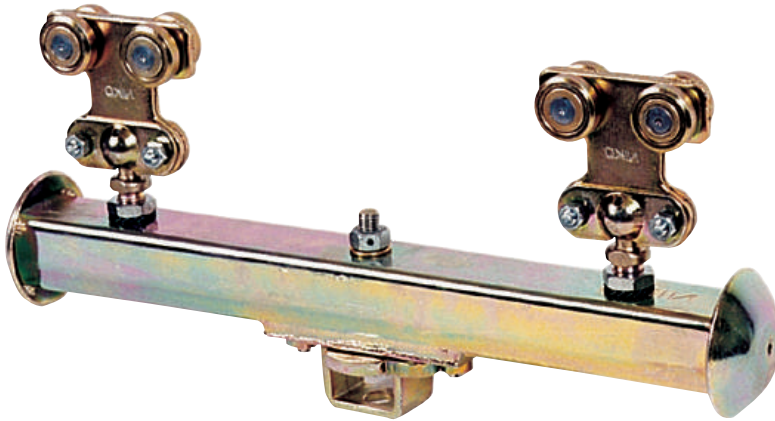
.T84

NIKO Profile No.	24.000	25.000	26.000	27.000
Item Ref	24.T84	25.T84	26.T84	27.T84
SWL Kg	160	400	800	1600
l (mm)	100	120	145	210
h (mm)	39	42	46	73
B (mm)	300	420	500	700



Flight Bar with Spring Loaded 90° Rotating Indexing Unit (2 x .T14 trolley)

.T32

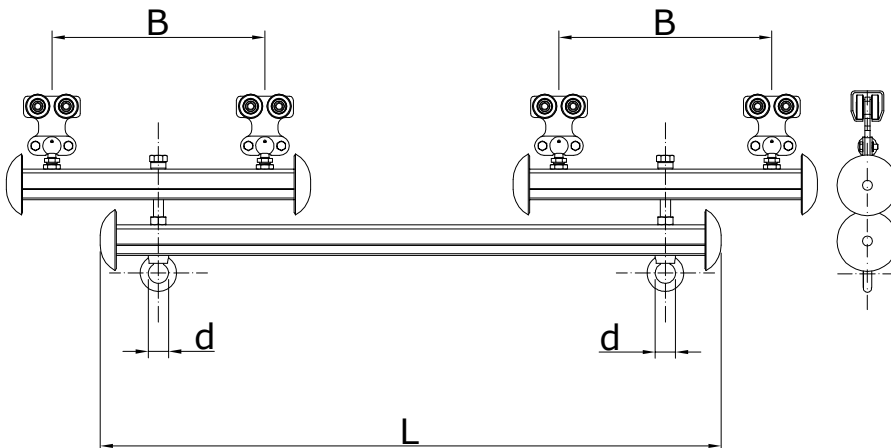
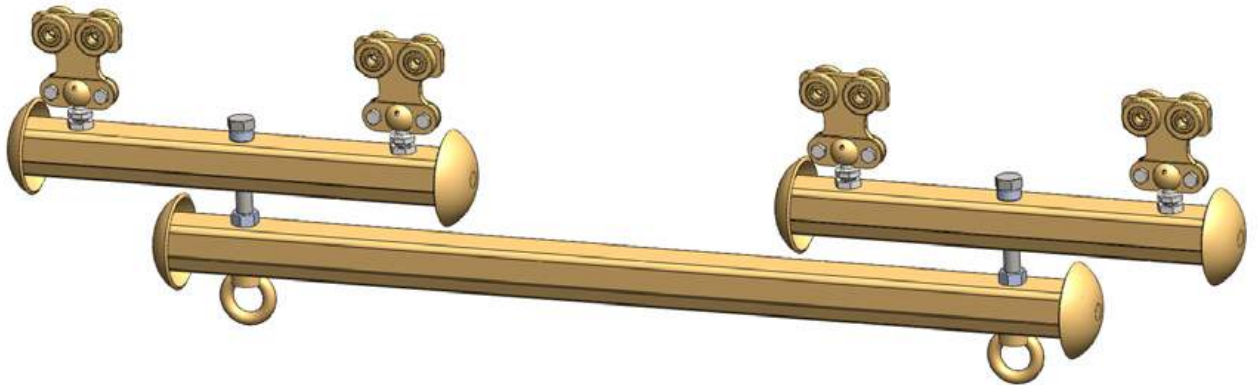


NIKO Profile No.	23.000	24.000	25.000
Item Ref	23.T32	24.T32	25.T32
SWL Kg	40	80	160
B (mm)	180	300	420
L (mm)	300	450	600
h (mm)	35	43,5	60
b (mm)	40	48,5	65
d (mm)	16	16	16

CONVEYOR SYSTEMS

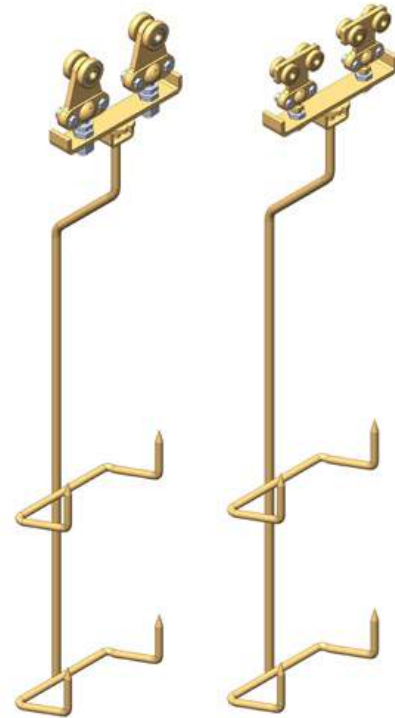
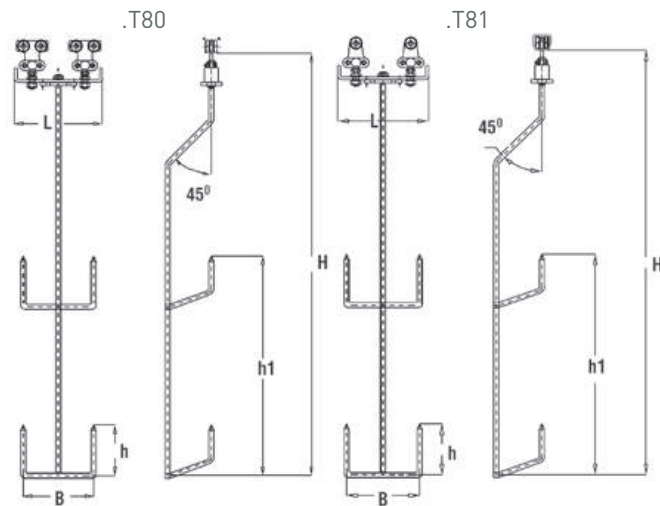
Heavy Duty Flight bar

.T69



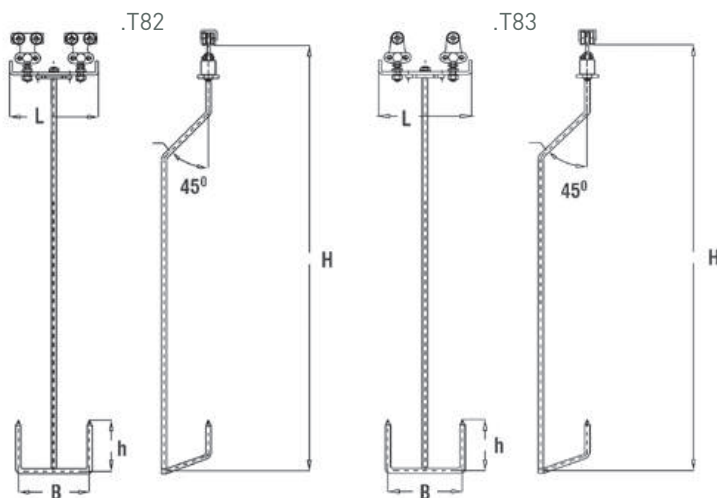
NIKO Profile No.	26.000	27.000
Item Ref	26.T69	27.T69
SWL Kg	1000	2000
B (mm)	500	700
L (mm)	1500	2000
d (mm)	50	60

Trolley with Double 90° Rotating Hanger .T80/.T81



NIKO Profile No.	23.000		24.000	
	Item Ref	23.T80	23.T81	24.T80
SWL Kg	40		80	
H (mm)	1200		1200	
h (mm)	130		130	
h1 (mm)	480		480	
B (mm)	200		200	
L (mm)	250		250	

Trolley with Single 90° Rotating Hanger .T82/.T83

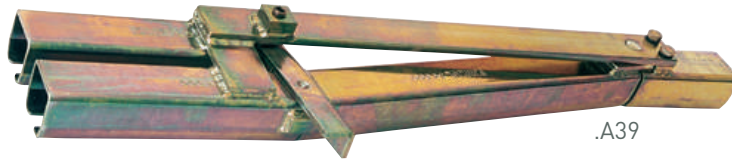


NIKO Profile No.	23.000		24.000	
	Item Ref	23.T82	23.T83	24.T82
SWL Kg	40		80	
H (mm)	1200		1200	
h (mm)	130		130	
B (mm)	200		200	
L (mm)	250		250	

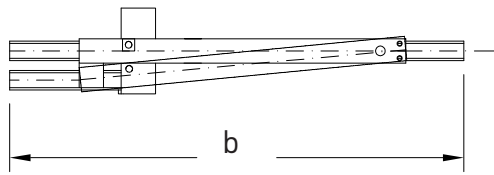
CONVEYOR SYSTEMS

Single Swivel Switch

.A38/.A39



.A39

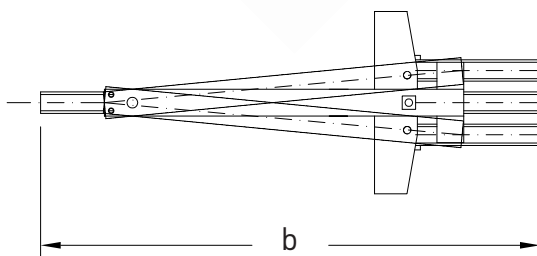
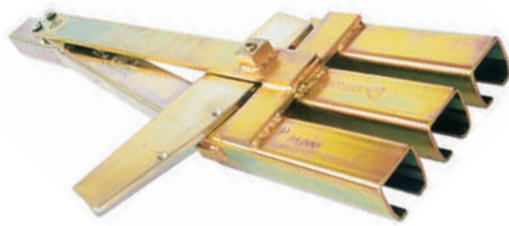


NIKO Profile No.	23.000	24.000	25.000	26.000	27.000
Right switch No.	23.A38	24.A38	25.A38	26.A38	27.A38
Left switch No.	23.A39	24.A39	25.A39	26.A39	27.A39
b (mm)	778	818	1107	1176	1365

CONVEYOR SYSTEMS

Triple Swivel Switch

.A35



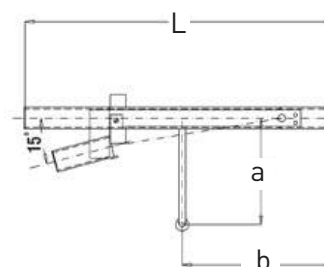
NIKO Profile No.	23.000	24.000	25.000	26.000	27.000
Item Ref	23.A35	24.A35	25.A35	26.A35	27.A35
b (mm)	778	818	1107	1176	1365

Trolley Input/Output Device

.A36/.A37



NIKO Profile No.	23.000	24.000	25.000	26.000	27.000
Right switch No.	23.A36	24.A36	25.A36	26.A36	27.A36
Left switch No.	23.A37	24.A37	25.A37	26.A37	27.A37
L (mm)	700	700	850	1000	1200
b (mm)	310	310	390	460	550
a (mm)	250	250	250	250	250

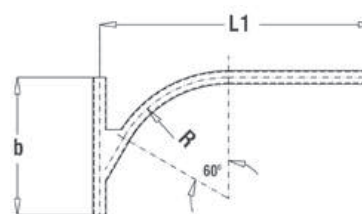


Single Tongue Switch complete with 60° Bend

.A02/.A03



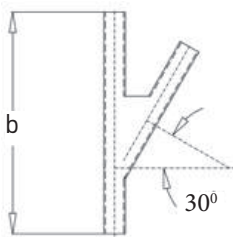
NIKO Profile No.	23.000	24.000	25.000	26.000	27.000
Right switch No.	23.A02	24.A02	25.A02	26.A02	27.A36
Left switch No.	23.A03	24.A03	25.A03	26.A03	27.A37
L1 (mm)	900	980	1350	1430	1200
b (mm)	500	500	650	750	550
R (mm)	400	440	580	770	250



CONVEYOR SYSTEMS

Tongue Switch without Bend

.A04/.A05

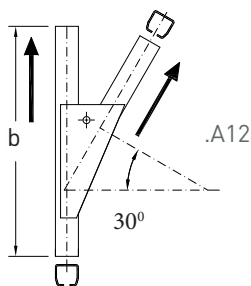


NIKO Profile No.	23.000	24.000	25.000	26.000
Right switch No.	23.A04	24.A04	25.A04	26.A04
Left switch No.	23.A05	24.A05	25.A05	26.A05
b (mm)	500	500	650	750

CONVEYOR SYSTEMS

Automatic Single Tongue Switch Type C without Bend

.A12/.A13



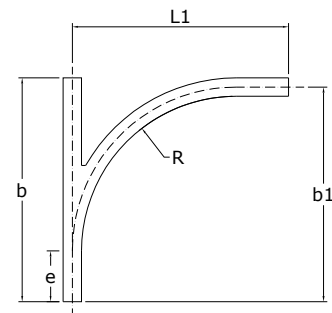
NIKO Profile No.	23.000	24.000	25.000	26.000
Right switch No.	23.A12	24.A12	25.A12	26.A12
Left switch No.	23.A13	24.A13	25.A13	26.A13
b (mm)	700	700	800	1050

Single Tongue Switch complete with 90° Bend

.A45/.A46



NIKO Profile No.	23.000	24.000	25.000	26.000	27.000
Right switch No.	23.A45	24.A45	25.A45	26.A45	27.A45
Left switch No.	23.A46	24.A46	25.A46	26.A46	27.A46
R (mm)	690/400	580/440	580	770	1035
b (mm)	700	700	800	1050	1350
b1 (mm)	770/530	700/590	760	1060	1285
L1 (mm)	800/700	800/700	800	1050	1300
e (mm)	80/130	120/150	180	290	250

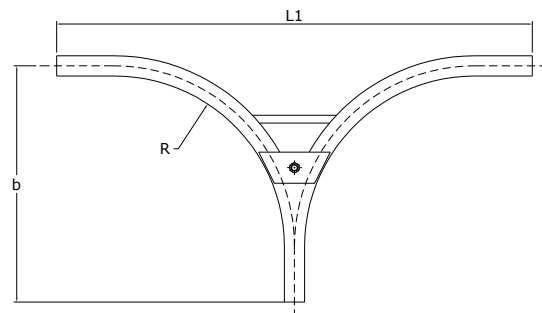


Single Tongue Switch complete with two Bends

.A47



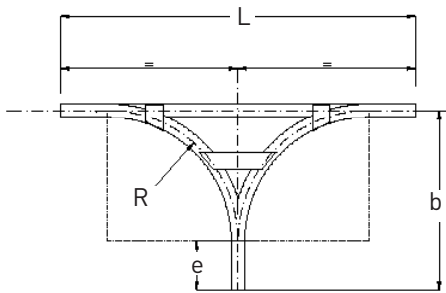
NIKO Profile No.	23.000	24.000	25.000	26.000	27.000
Switch No.	23.A47	24.A47	25.A47	26.A47	27.A47
L1 (mm)	1405/1910	1400/1600	1530	2100	3000
b (mm)	530/775	575/692	755	1010	1335
R (mm)	400/690	440/585	580	770	1035



CONVEYOR SYSTEMS

Triple Tongue Switch with two 90° Bends

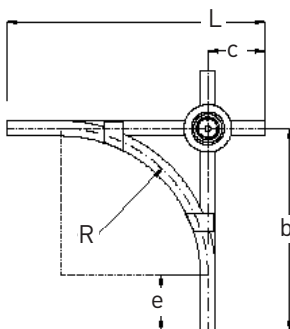
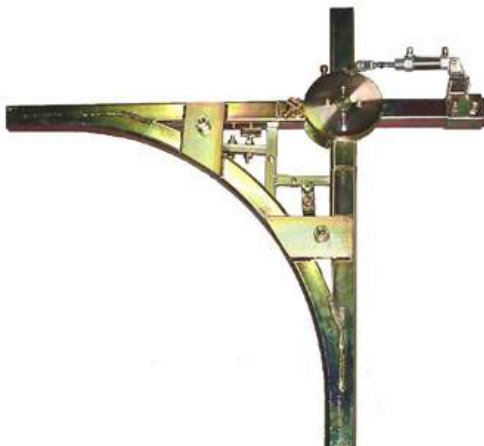
.A15



NIKO Profile No.	23.000	24.000	25.000	26.000	27.000
Switch No.	23.A15	24.A15	25.A15	26.A15	27.A15
R (mm)	400/690	440/585	580	770	1035
b (mm)	530/775	575/692	755	1010	1285
L (mm)	1405/1910	1400/1600	1530	2100	2570
e (mm)	130/85	135/107	175	240	250

Triple Tongue Switch with Pneumatic Turntable

.A17



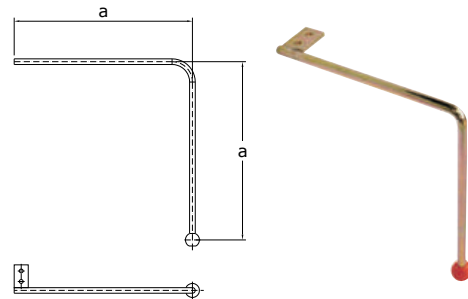
NIKO Profile No.	23.000	24.000	25.000	26.000	27.000
Switch No.	23.A17	24.A17	25.A17	26.A17	27.A17
R (mm)	690	580	580	770	1035
b (mm)	770	700	760	1060	1285
L (mm)	1020	950	1110	1460	1785
e (mm)	80	120	180	290	250
c (mm)	250	250	350	400	500

Switch Lever

SL.

Used to the change of direction of the track and in conveyor systems which are installed at a distance smaller than 2.5m from the ground.

NIKO Profile No.	23.000	24.000	25.000	26.000
Switch No.	SL.23	SL.24	SL.25	SL.26
a (mm)	500	500	500	500

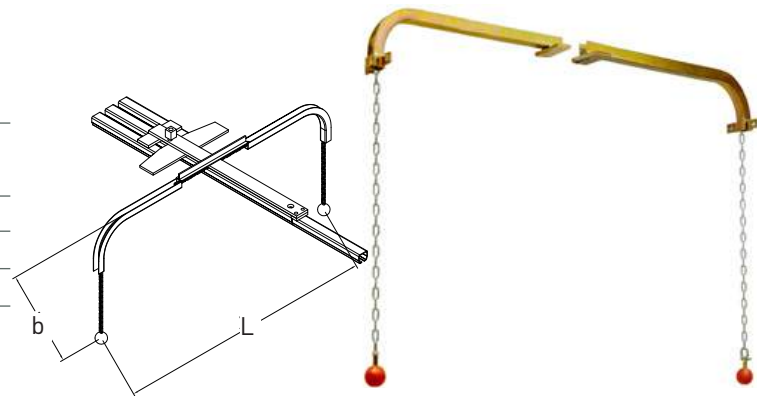


Switch Double Pulling Chain

DL.

Used in conveyor systems at a distance of 2.5m or greater from the ground and where the installation of a switch lever may create problems.

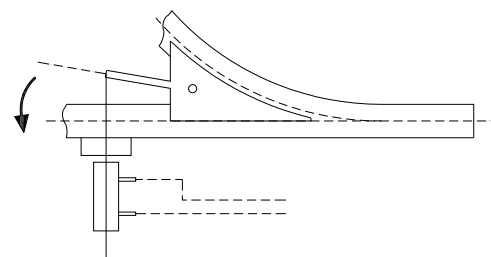
NIKO Profile No.	23.000	24.000	25.000	26.000
Switch No.	DL.23	DL.24	DL.25	DL.26
L (mm)	500	500	500	500
b (mm)	500	500	500	500



CONVEYOR SYSTEMS

Tongue Switch Pneumatic Operation (incl. cylinder) without Pneumatic Control

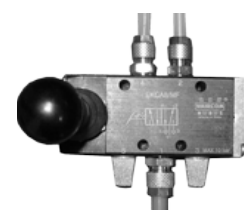
PN.



Tongue Switch Pneumatic Control (manual valve & 10m tube)

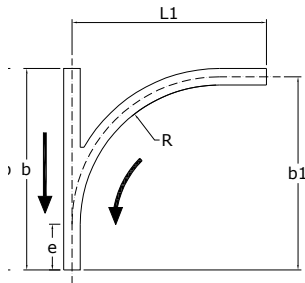
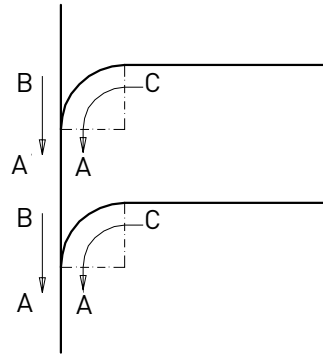
X7./ X8.

Pneumatic control can be placed to every switch.



Automatic Single Tongue Switch Type A .A06/.A07 complete with Bend

In automatic swivel switch type A the trolleys come from the opposite direction to that indicated by the tongue. Possible directions : B to A and C to A.

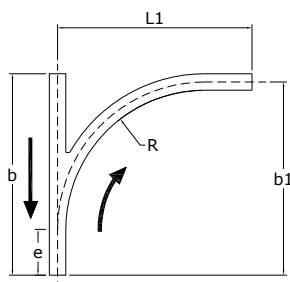
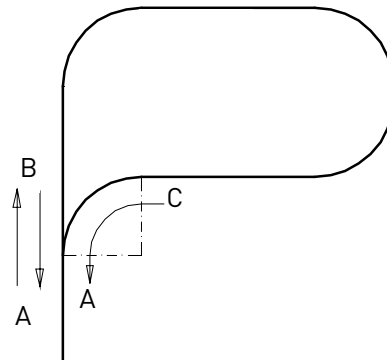


NIKO Profile No.	23.000	24.000	25.000	26.000	27.000
Right switch No.	23.A06	24.A06	25.A06	26.A06	27.A06
Left switch No.	23.A07	24.A07	25.A07	26.A07	27.A07
R (mm)	690/400	580/440	580	770	1035
b (mm)	700	700	800	1050	1350
b1 (mm)	770/530	700/590	760	1060	1285
L1 (mm)	800/700	800/700	800	1050	1300
e (mm)	80/130	120/150	180	290	250

CONVEYOR SYSTEMS

Automatic Single Tongue Switch Type B .A08/.A09 complete with Bend

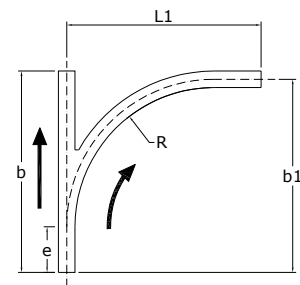
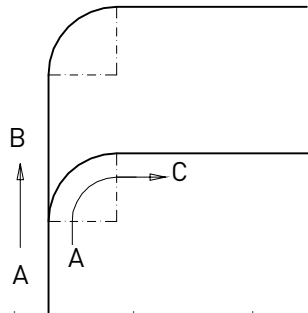
In automatic swivel switch type B the switch tongue is continuously pressed by a spring. This spring is positioned at the switch according to the required direction of product flow. Possible directions B to A, C to A or A to B.



NIKO Profile No.	23.000	24.000	25.000	26.000	27.000
Right switch No.	23.A08	24.A08	25.A08	26.A08	27.A08
Left switch No.	23.A09	24.A09	25.A09	26.A09	27.A09
R (mm)	690/400	580/440	580	770	1035
b (mm)	700	700	800	1050	1350
b1 (mm)	770/530	700/590	760	1060	1285
L1 (mm)	800/700	800/700	800	1050	1300
e (mm)	80/130	120/150	180	290	250

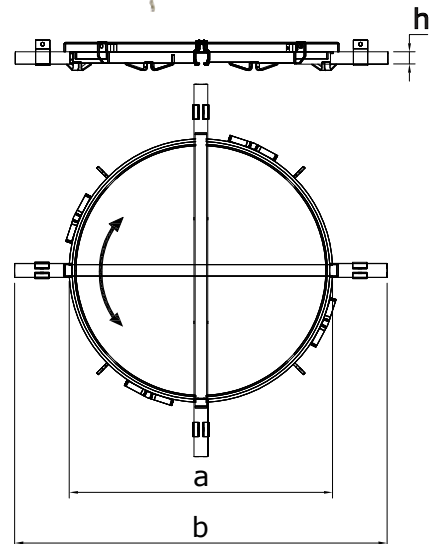
Automatic Single Tongue Switch Type C .A10/.A11 complete with Bend

In automatic swivel switch type C the switch tongue leads the trolleys in different directions. When a trolley passes through the tongue automatically switches to the other direction. Possible directions: B to C and then A to C (or the opposite combination)



NIKO Profile No.	23.000	24.000	25.000	26.000	27.000
Right switch No.	23.A10	24.A10	25.A10	26.A10	27.A10
Left switch No.	23.A11	24.A11	25.A11	26.A11	27.A11
R (mm)	690/400	580/440	580	770	1035
b (mm)	700	700	800	1050	1350
b1 (mm)	770/530	700/590	760	1060	1285
L1 (mm)	800/700	800/700	800	1050	1300
e (mm)	80/130	120/150	180	290	250

Cruciform Turn Table Switch .A41

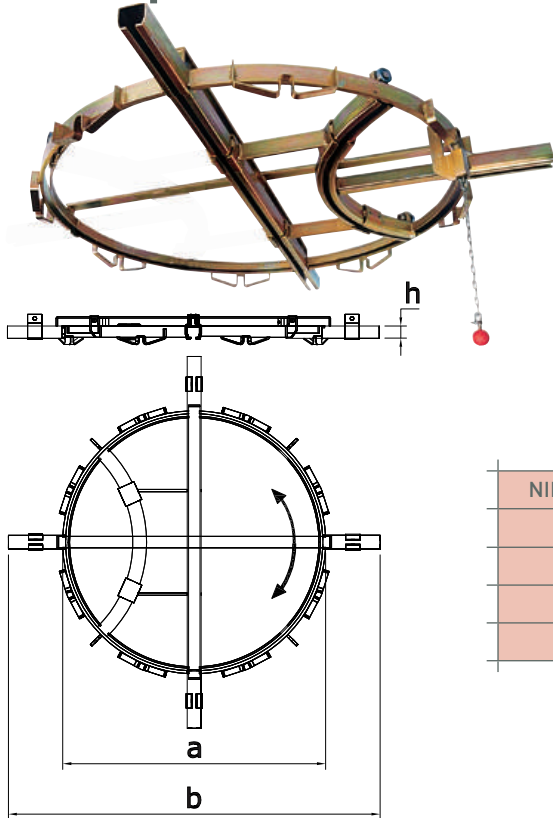


NIKO Profile No.	23.000	24.000	25.000	26.000	27.000
Switch No.	23.A41	24.A41	25.A41	26.A41	27.A41
a (mm)	450	450	600	700	1000
b (mm)	700	850	1100	1300	1800
h (mm)	34	34	56	63	90

CONVEYOR SYSTEMS

Multiple Turn Table Switch

.A42

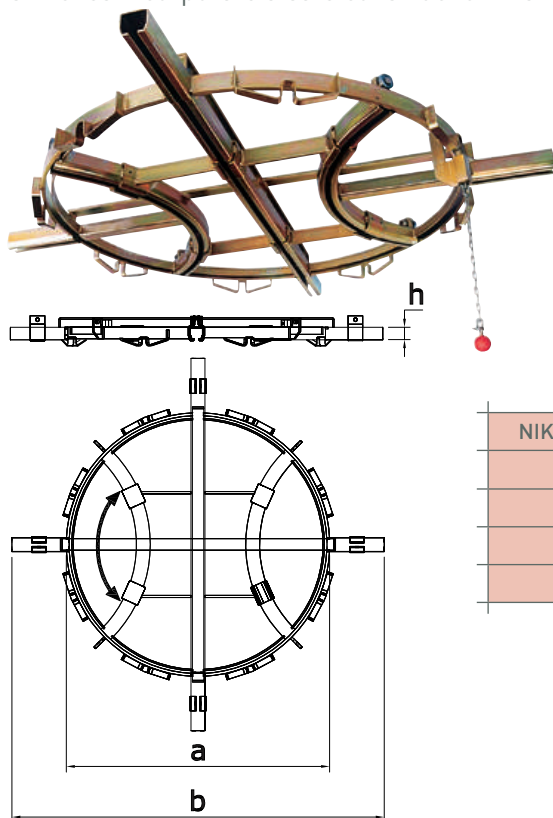


NIKO Profile No.	23.000	24.000	25.000	26.000	27.000
Switch No.	23.A42	24.A42	25.A42	26.A42	27.A42
a (mm)	900	900	1300	1600	2000
b (mm)	1300	1300	1800	2200	2800
h (mm)	34	34	56	63	90

Multiple Turn Table Switch

.A43

Turntable switches are robust constructions rotating on ball bearings, which are controlled by a chain operated system. The trolley enters the switch when it's locked in one of the positions of passage. These switches incorporate a safe construction that precludes the derailment of trolleys.

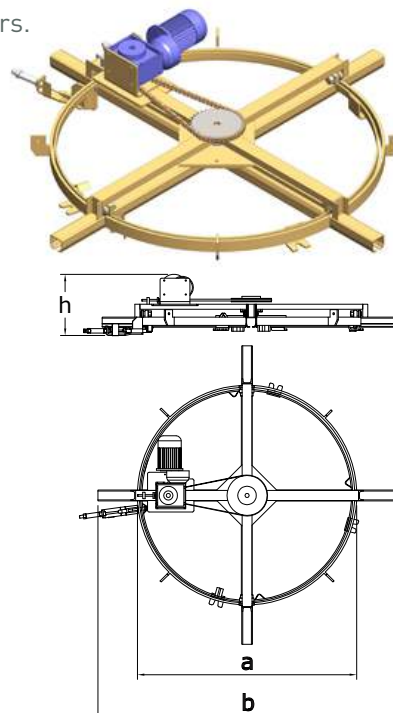


NIKO Profile No.	23.000	24.000	25.000	26.000	27.000
Switch No.	23.A43	24.A43	25.A43	26.A43	27.A43
a (mm)	900	900	1300	1600	2000
b (mm)	1300	1300	1800	2200	2800
h (mm)	34	34	56	63	90

Cruciform Turn Table Switch with electric operation

EL./A41

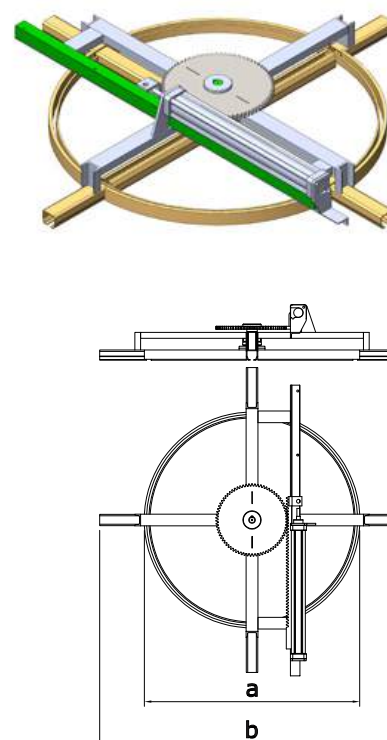
Turn table switches can be powered using motors or pneumatic cylinders.



NIKO Profile No.	24.000	25.000	26.000
Switch No.	EL.24.A41	EL.25.A41	EL.26.A41
a (mm)	450	600	700
b (mm)	850	1100	1340
h (mm)	270	350	450

Cruciform Turn Table Switch with pneumatic operation

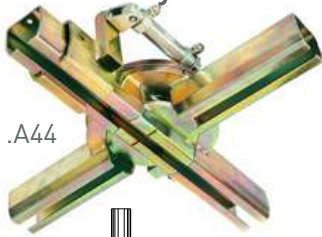
PN./A41



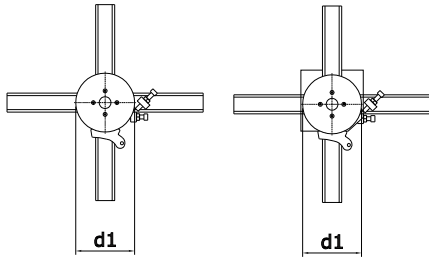
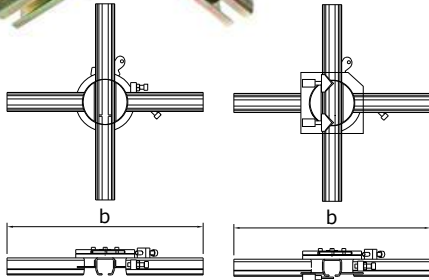
NIKO Profile No.	24.000	25.000	26.000
Switch No.	PN.24.A41	PN.25.A41	PN.26.A41
a (mm)	450	600	700
b (mm)	850	1100	1340

Pneumatic Turn Table Switch (incl. cylinder)

.A44/.A44S



.A44



.A44

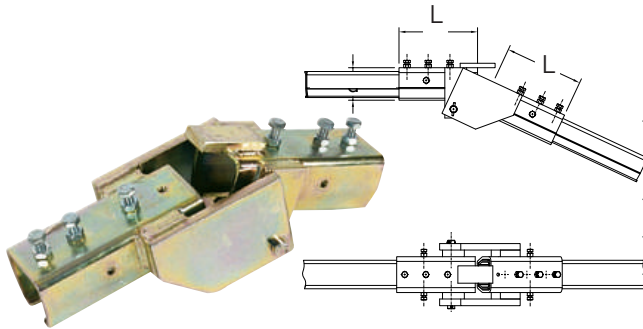
.A44S
(with positioning stoppers)

NIKO Profile No.	23.000	24.000	25.000	26.000	27.000
Switch No.	23.A44	24.A44	25.A44	26.A44	27.A44
Switch No.	23.A44S	24.A44S	25.A44S	26.A44S	27.A44S
b (mm)	500	500	700	800	1000
d1 (mm)	150	150	200	250	350

Articulation Joint

.H08

Placed at the end of the track and used for the lifting or lowering of loads. This function may be hand-operated or assisted by an electric hoist.

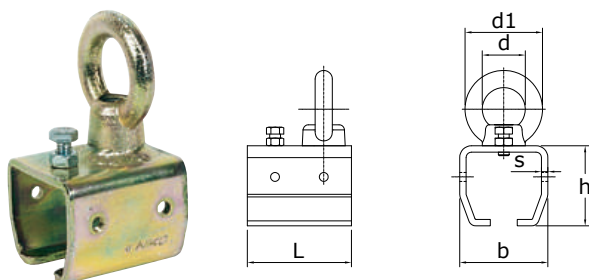


NIKO Profile No.	23.000	24.000	25.000	26.000	27.000
Item Ref.	23.H08	24.H08	25.H08	26.H08	27.H08
L (mm)	120	150	180	200	250

Ring Support Bracket

.H09

Used in combination with the articulation joint and connected directly to the electric hoist or any other manually operated load-lifting system.

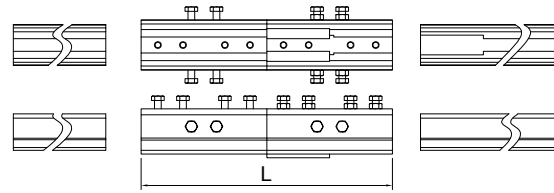


NIKO Profile No.	23.000	24.000	25.000	26.000	27.000
Item Ref.	23.H09	24.H09	25.H09	26.H09	27.H09
L (mm)	55	68	90	110	120
d ₁ (mm)	54	63	72	90	108
d (mm)	30	35	40	50	60
s (mm)	4	4,5	6	8	10
b (mm)	50	60	80	100	118
h (mm)	45	54	75	93	134

Dilation Joint

.H30

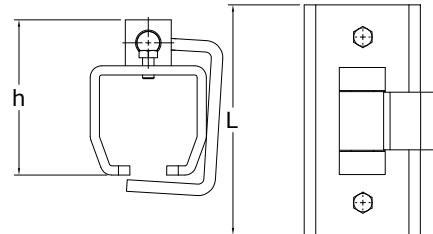
NIKO Profile No.	23.000	24.000	25.000	26.000	27.000
Dilation joint No.	23.H30	24.H30	25.H30	26.H30	27.H30
L (mm)	240	300	360	400	500



Directional Stopper

.H20

NIKO Profile No.	23.000	24.000	25.000	26.000
Stopper No.	23.H20	24.H20	25.H20	26.H20
L (mm)	120	150	180	200
h (mm)	70	79	115	133

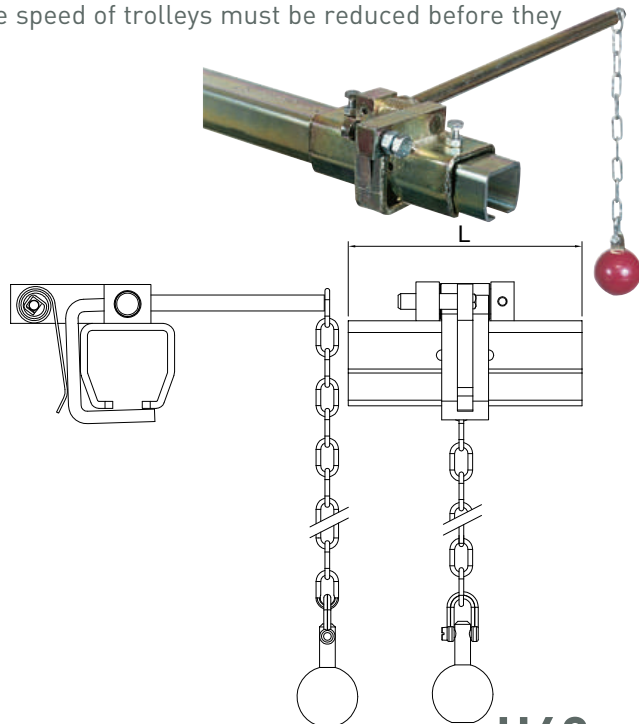


Stopper with Hand Lever

.H60

Used for the safe stopping of trolleys with track transfer assemblies and articulation units. There is a possibility of change in position following installation. The speed of trolleys must be reduced before they reach the stoppers.

NIKO Profile No.	23.000	24.000	25.000	26.000	27.000
Switch No.	23.H60	24.H60	25.H60	26.H60	27.H60
L (mm)	120	150	180	200	250

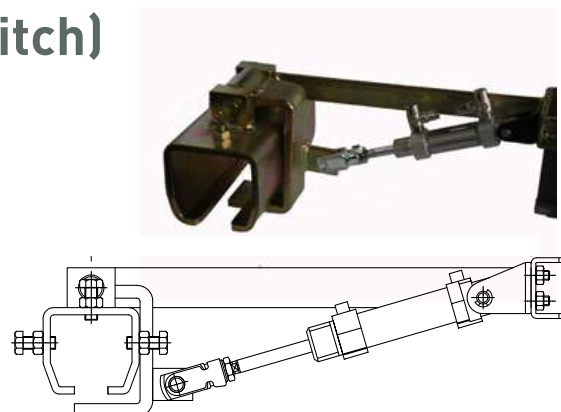


CONVEYOR SYSTEMS

Pneumatic Stopper (incl.cylinder, w/o control switch)

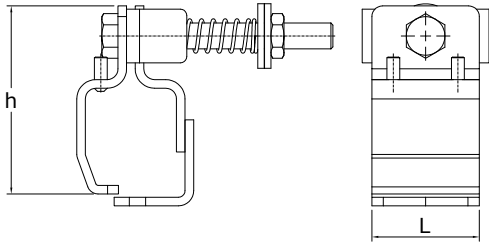
.H63

NIKO Profile No.	23.000	24.000	25.000	26.000	27.000
Stopper No.	23.H63	24.H63	25.H60	26.H63	27.H63



Spring Loaded Stopper

.H10

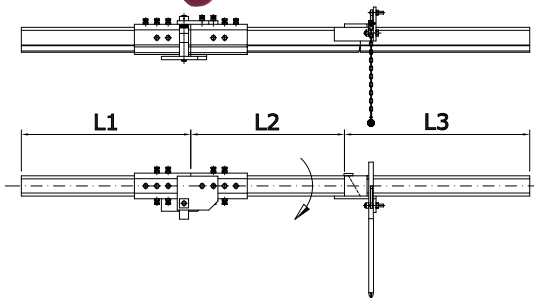


NIKO Profile No.	23.000	24.000	25.000	26.000	27.000
Stopper No.	23.H10	24.H10	25.H10	26.H10	27.H10
L (mm)	50	50	90	110	120
h (mm)	59	70	94	111	148

Manual Lateral Swivel Unit

.H15/.H25

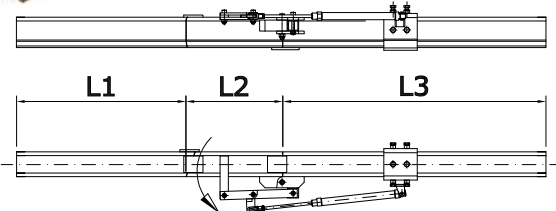
Permits interruption of the transport line from sliding or opening doors. The transport line reverts to its normal position following the opening of the door.



NIKO Profile No.	23.000	24.000	25.000	26.000	27.000
right	23.H15	24.H15	25.H15	26.H15	27.H15
left	23.H25	24.H25	25.H25	26.H25	27.H25
L1 (mm)	500	500	500	700	850
L2 (mm)	500	500	500	500	600
L3 (mm)	500	500	500	700	850

Pneumatic Lateral Swivel Unit (incl. cylinder without control switch)

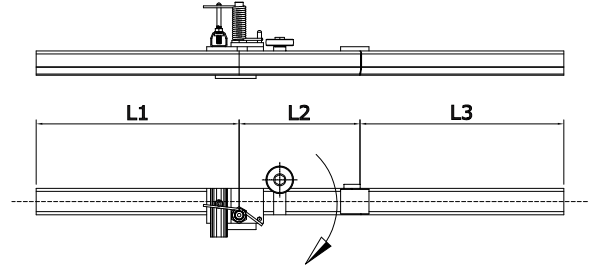
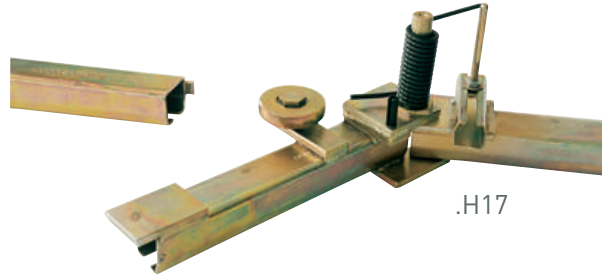
.H16/.H26



NIKO Profile No.	23.000	24.000	25.000	26.000	27.000
right	23.H16	24.H16	25.H16	26.H16	27.H16
left	23.H26	24.H26	25.H26	26.H26	27.H26
L1 (mm)	500	500	500	700	900
L2 (mm)	350	350	350	400	450
L3 (mm)	500	500	500	700	900

Spring Loaded Lateral Swivel Unit

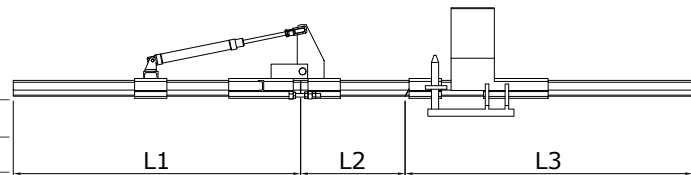
.H17/.H27



NIKO Profile No.	23.000	24.000	25.000	26.000	27.000
right	23.H17	24.H17	25.H17	26.H15	27.H17
left	23.H27	24.H27	25.H27	26.H27	27.H27
L1 (mm)	500	500	500	700	900
L2 (mm)	300	300	350	400	450
L3 (mm)	500	500	500	700	900

Pneumatic Vertical Swivel Unit Upward

.H18

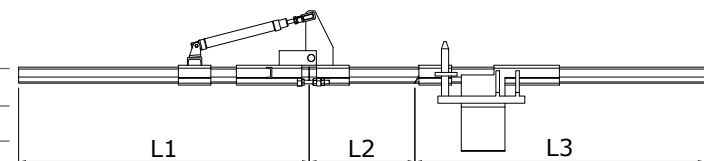
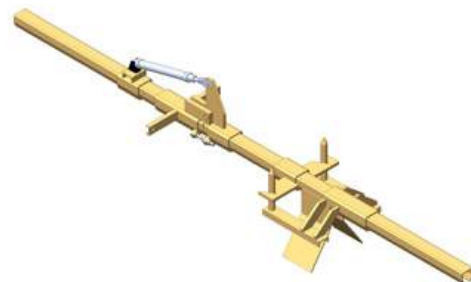


NIKO Profile No.	23.000	24.000	25.000	26.000	27.000
Swivel No.	23.H18	24.H18	25.H18	26.H18	27.H18

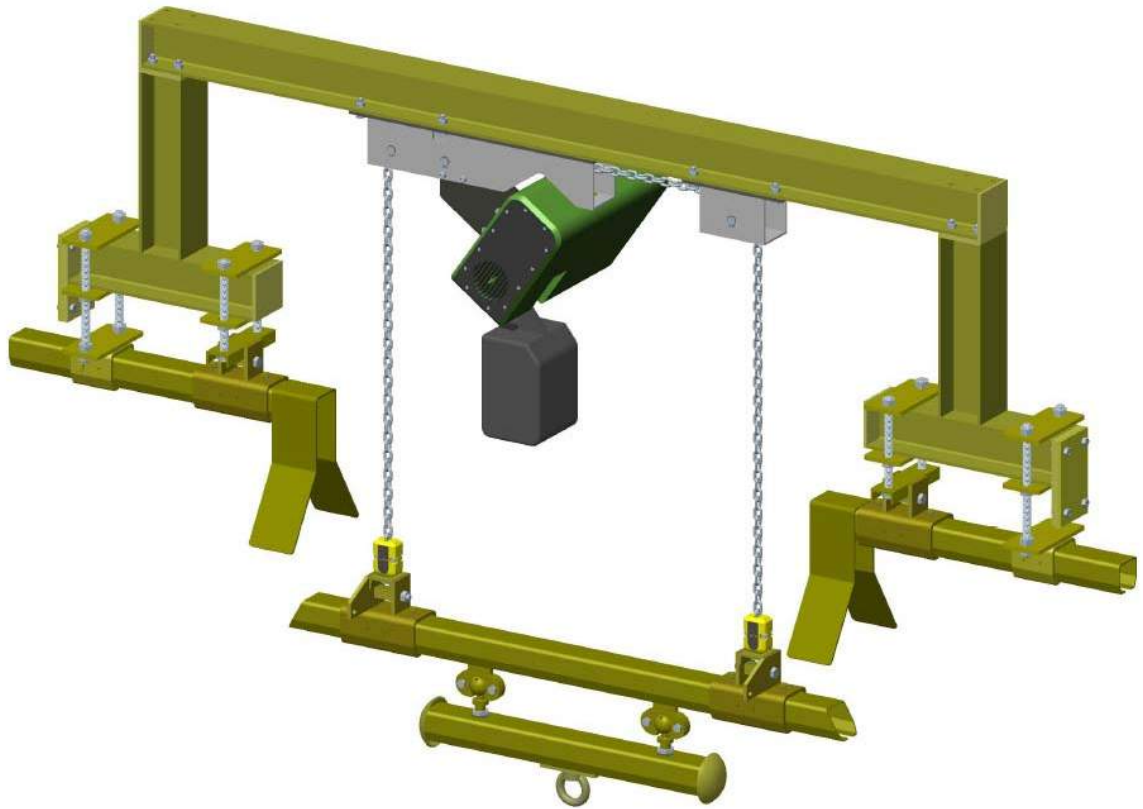
CONVEYOR SYSTEMS

Pneumatic Vertical Swivel Unit Downward

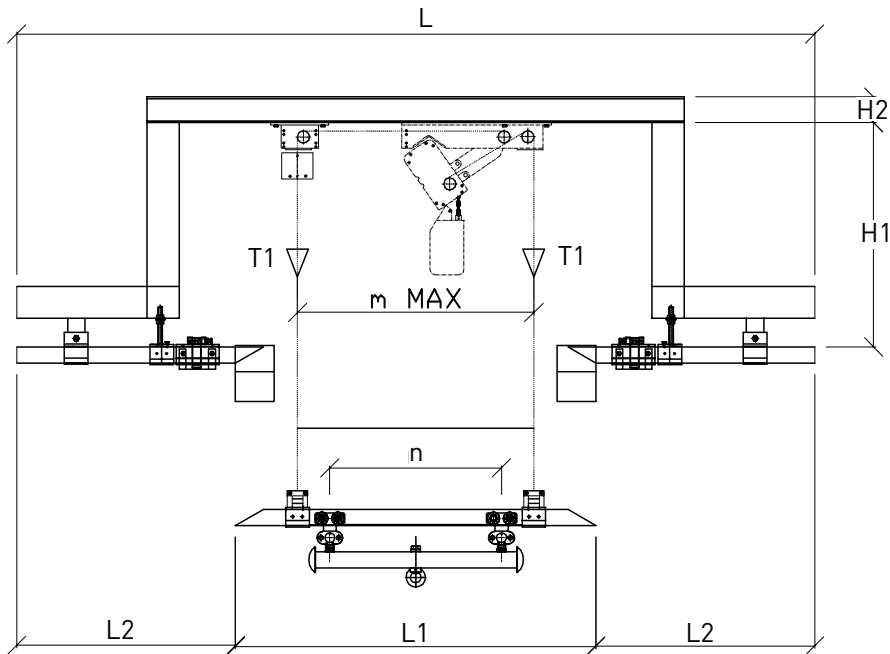
.H19



NIKO Profile No.	23.000	24.000	25.000	26.000	27.000
Swivel No.	23.H19	24.H19	25.H19	26.H19	27.H19

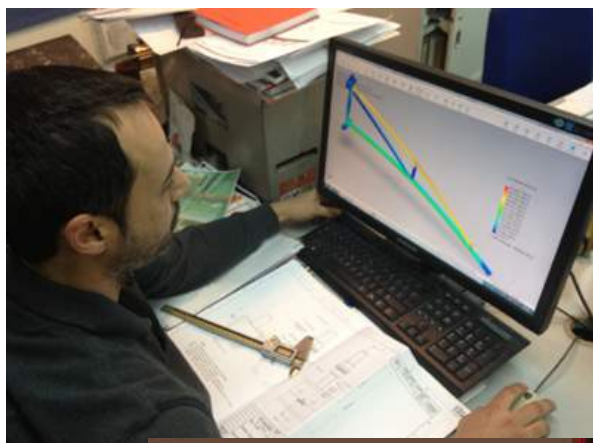


CONVEYOR SYSTEMS



NIKO Profile No.	23.000	24.000	25.000	26.000	27.000
Drop-lift No.	23.H70	24.H70	25.H70	26.H70	27.H70
2 x T1 (Kg)	2x50	2x100	2x250	2x500	2x1000
L1 (mm)	1000	1000	1500	1500	2000
L2 (mm)	500	750	750	750	1000
L (mm)	2000	2500	3000	3000	4000
m MAX (mm)	2000	3000	3000	3000	3000
H2 MAX (mm)	96	96	133	152	171

Our quality control department is manned by experienced and highly skilled engineers. Our test lab is equipped with endurance test stands, tensile stress equipment, hardness test machines and other laboratory equipment. Finite Element Analysis is also performed during the developing phase of every component.



CONVEYOR SYSTEMS





AUSTRIA-NIKO Vertriebs GmbH
 Haifelderstraße 3
 A – 2564 Weissenbach
 Tel. 0043 (0) 2674 81005
 Fax 0043 (0) 2674 81006
 office.at@niko.eu.com

CHINA-NIKO China
 Room 605, Building 8, No.335
 Jinian Road, Hongkou District,
 200434 Shanghai
 Tel. 0086 139 1814 5645
 info.cn@niko.eu.com

GERMANY-NIKO Technik GmbH
 Friedrichstraße 269 A
 D – 42551 Velbert
 Tel. 0049 (0) 2051 6047 36
 Fax 0049 (0) 2051 6047 38
 office.de@niko.eu.com

GREECE-Helm Hellas S.A.
 82nd Km Athens-Korinthos
 P.O. Box 209
 201 00 KORINTHOS
 Tel. 0030 (0) 27410 85803-6
 Fax 0030 (0) 27410 25368
 info@niko.eu.com

POLAND- NIKO Polska
 Wojska Polskiego 97
 Wielun 98-300
 Tel. 0048 504 00 35 56
 info.pl@niko.eu.com

UNITED KINGDOM-NIKO Ltd
 Units 15-21, Insight Business Park
 Welsh Road East, Southam
 Warwickshire – CV471NE- UK
 Tel. 0044 (0) 1926 813111
 Fax 0044 (0) 1926 815599
 Sales@niko-ltd.co.uk

USA-NIKO Track
 300 Highpoint Ave
 Portsmouth, RI. 02871 USA
 Tel. 001 (0) 401 683 7525
 Fax 001 (0) 401 683 6450
 Sales@NikoTrack.com

TRADITION IS PROGRESS PRESERVED, PROGRESS IS TRADITION CONTINUED.

Helm Hellas 1972–2012

A family business for 40 years, Helm Hellas has been built on the twin foundations of Tradition and Progress, always heading towards a successful economic future.

QUALITY IS THE RESULT OF ATTENTION TO DETAIL.

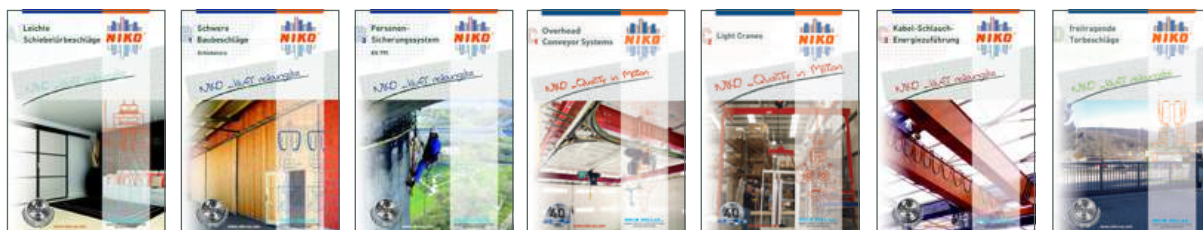
Quality will always be as standard for us, our products, our staff and our partners.

OUR VISION.

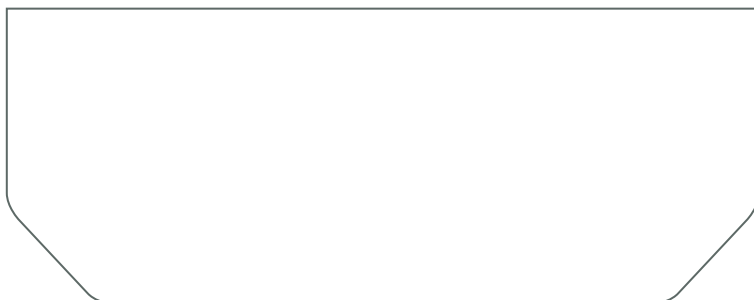
We are an international company and our goal is to be market leaders in each of our business sectors.

OUR VALUES

- ✓ We want to offer our customers the best quality at a reasonable price.
- ✓ We strive for continual improvement in our quality procedures – because we believe the company that doesn't move forward will be left behind.
- ✓ We respond to any demand on the market with the ongoing development of new products.
- ✓ We support our co-workers by ensuring they are highly motivated and well qualified.
- ✓ We want to expand into new sales markets to continue to win satisfied customers.



Your **NIKO** agent will be happy to advise you:



Complete product range **NIKO**:

- A1 – Residential Sliding Door Hardware
- A2 – Sliding Curtains Hardware
- B1 – Heavy Duty Sliding Door Hardware
- B2 – Folding and Harmonica Door Hardware
- B3 – Garage Door and Door around the corner Hardware
- C1 – Overhead Conveyor Systems
- C2 – Light Cranes
- C3 – Cable Trolleys and Festoon Systems
- C4 – Personal Fall Arrest Systems (EN 795)
- D – Sliding Gate Hardware

www.niko.eu.com